



WITTUR

SPARE PARTS CATALOGUE

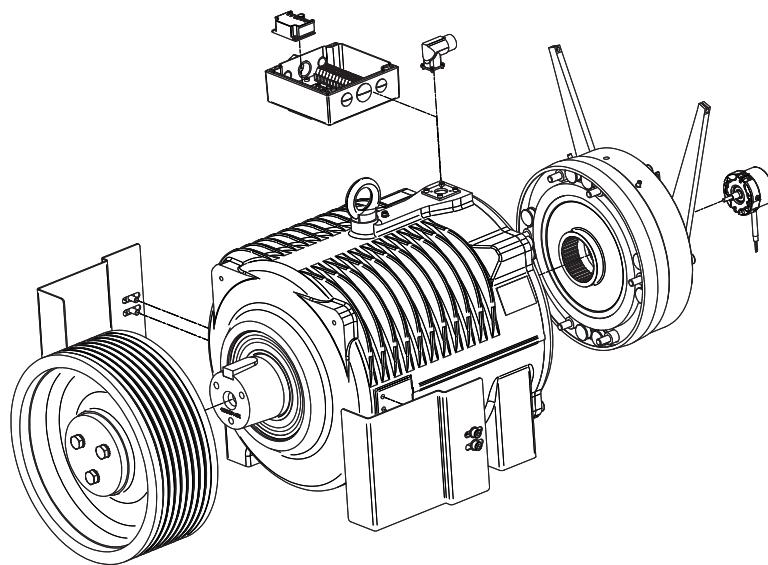
WSG-MF

GEARLESS LIFT MACHINE

Code **SM.8.005972.EN**

Version **A0**

Date **07. Feb 2022**



safety *in* **motion**TM

[Download the catalogue](#)



No part of this publication may be reproduced or translated, even in part, without prior written permission from WITTUR.

Subject to change without notice!

info.wed@wittur.com
www.wittur.com

© Copyright WITTUR 2022

Gearless Lift Machine

WSG-MF

Spare parts catalogue

Code: SM.8.005972.EN
 Date: 07. Feb 2022
 Version: A0
 Page: 2

This spare parts catalogue is intended to support customers to select and order the correct Wittur original spare parts to be used during maintenance or repair of Wittur products. Maintenance or repair of Wittur products must be carried out only by qualified personnel. All prescriptions and instructions of the corresponding Wittur installation and maintenance manuals must be strictly followed.

In case non-original spare parts are installed on a Wittur product, Wittur cannot guarantee the correct functioning of the product if such parts are not subject to the same strict quality requirements in terms of raw material, manufacturing, assembly and inspection according to Wittur specifications.

This release of the catalogue supersedes any previous release. Please check the version number on the front page and make sure you destroy old catalogues and use only the latest release. Please note that the latest valid version of the catalogue can be found at any time online on our webpage. Visuals and descriptions in this document have been prepared with utmost care, however no liability can be accepted for errors therein.



Information

► For the maintenance procedures refer to "Operating Instructions GM.8.004453.EN"



In case of any questions regarding Original Spare Parts for Wittur products please contact:

Sales network

<https://www.wittur.com/en/wittur-group/worldwide-sales-network.aspx>

Customer service contacts

<https://www.wittur.com/website/contacts.aspx>

Company Headquarter

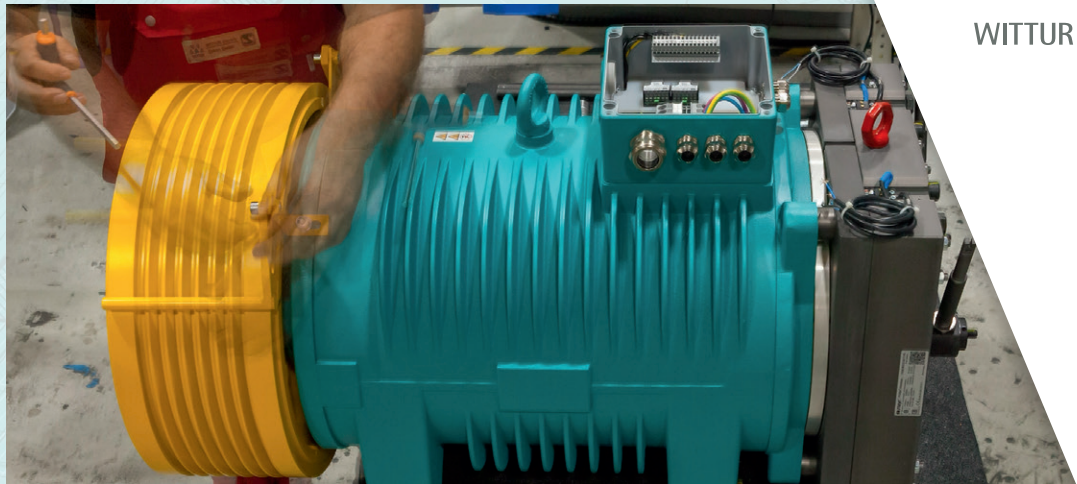
WITTUR HOLDING GmbH
 Rohrbachstr. 26-30
 D-85259 Wiedenzhausen
 E-Mail: info@wittur.com

Contents

1. Preventive maintenance	4
2. Motor spare parts	5
3. Tools	6
4. Accessories	7

Document history

Date	Version	Modifications
07. Feb 2022	DRAFT	First edition



WITTUR PREVENTIVE MAINTENANCE

“Nobody knows Wittur equipment better than Wittur”



UPTIME

Wittur Preventive Maintenance helps you maximize uptime of your elevator, avoid unplanned breakdowns and costly emergency repairs. Prevention is always better than cure.



QUALITY

Wittur Preventive Maintenance ensures high quality performance of your Wittur equipment. For any elevator to work at its optimum, parts need to be replaced at the right time.



SMOOTH OPERATION

Wittur Preventive Maintenance simply makes your elevator run smoother. The use of Wittur Original Spare Parts helps you bring ride comfort back to the original level.

To insure your **Wittur product** is professionally serviced, follow the **Preventive Maintenance** instructions included in Wittur maintenance manuals as well as the Recommended Intervals for Part Replacement Check included in **Wittur spare parts catalogues**. Use the only spare parts that are always guaranteed to carry the same quality and performance as the Wittur product itself – **Wittur Original Spare Parts**.

All **Wittur Original Spare Parts** have been designed, tested and manufactured according to Wittur's detailed specifications, in order to optimally interact with all the parts and systems of your elevator. You trust in the longevity of your Wittur product - and you choose **Preventive Maintenance** and **Wittur Original Spare Parts** to support this longevity.

Visit us at wittur.com

To buy **Wittur Original Spare Parts**, please contact your local Wittur subsidiary.

1. Preventive maintenance



- ▶ This recommendation is for the only purpose of providing additional non-binding guidance for the frequency of checks of specific product parts during preventive maintenance operations.
- ▶ Maintenance of Wittur products is to be provided only by qualified personnel and remains under the sole responsibility of the company providing it.
- ▶ This recommendation is in addition to guidance for regular maintenance of Wittur products as laid out in the relevant maintenance manuals.
- ▶ This recommendation does not affect warranty or any other terms and conditions under which Wittur products have been sold.

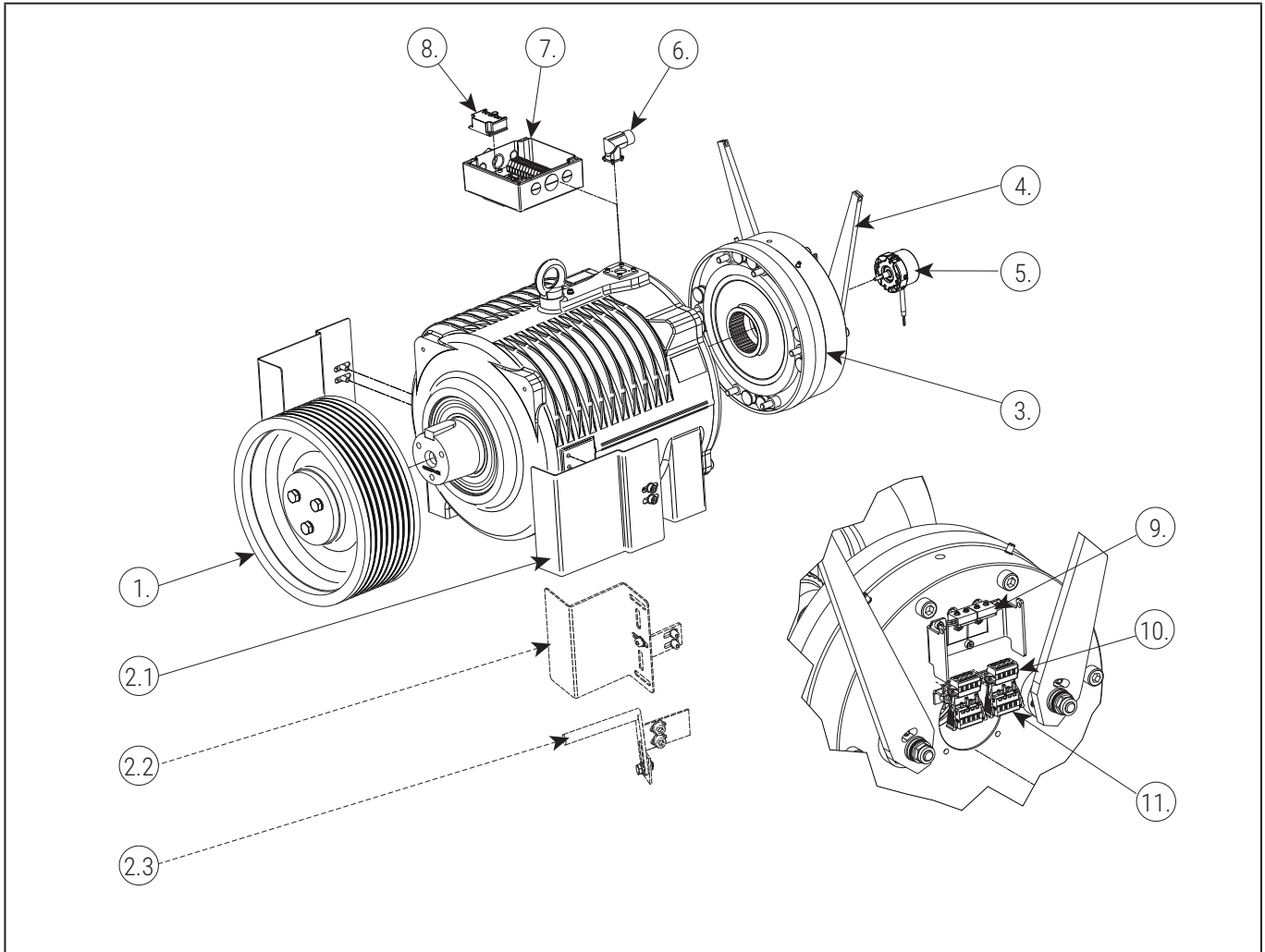
Pos.	Part description	Part number	Recommended interval for specific part replacement check		
			10 Years or 1'000'000 opening cycles ^{*)}	15 Years or 1'500'000 opening cycles ^{*)}	20 Years or 2'000'000 opening cycles ^{*)}
1.	Traction sheave	acc. machine nameplate type code X4	X		
3	Brake WSG-MF.1	ET 35 37 210 8789		X	
	Brake WSG-MF.2	ET 35 37 210 8788		X	
	Brake WSG-MF.3	ET 35 37 210 8787		X	
8.	Overexcitation rectifier	ET 35 37 210 0111		X	
9.	Micro-switch	ET 37 74 210 0807		X	
.	Replacing the complete machine	acc. machine nameplate type code			X

^{*)} Depending on which event occurs first.

Gearless Lift Machine
WSG-MF
Spare parts catalogue

Code: SM.8.005972.EN
Date: 07. Feb 2022
Version: A0
Page: 5

2. Motor spare parts



Pos.	Part description	Variant description	Use on WSG-			Part number
			MF.1	MF.2	MF.3	
1.	Traction sheave		●	●	●	acc. machine nameplate type code X4
2.1	Rigid rope guards	$D_T=320\text{ mm}$; $B_T=120\text{ mm}$	●	●	●	ET S-S 640 745
2.2	Flexible rope guard	$D_T=210\text{ mm}$; $B_T=120\text{ mm}$	●	●	●	ET S-S 640 740
		$D_T=240\text{ mm}$; $B_T=120\text{ mm}$	●	●	●	ET S-S 640 741
		$D_T=270\text{ mm}$; $B_T=120\text{ mm}$	●	●	●	ET S-S 640 742
2.3	Rope slip-off guard	$D_T=210/240\text{ mm}$; $B_T=120\text{ mm}$	●	●	●	ET S-S 640 712
		$D_T=270/320/400\text{ mm}$	●	●	●	ET S-S 640 710

Gearless Lift Machine

WSG-MF

Spare parts catalogue

Code: SM.8.005972.EN
 Date: 07. Feb 2022
 Version: A0
 Page: 6

Pos.	Part description	Variant description	Use on WSG-			Part number
			MF.1	MF.2	MF.3	
3.	Brake (compl.)	BFK 464-22R 2 x 600 Nm	●			ET 35 37 210 8789
		BFK 464-25R 2 x 900 Nm		●		ET 35 37 210 8788
		BFK 464-28R 2 x 1200 Nm			●	ET 35 37 210 8787
4.	Parts for manual release	for BFK 464-25R		●		ET 32 19 211 0108
		for BFK 464-28R			●	ET 32 19 211 0107
5.	Measuring system	ECN 1313 / SSI / 2048 Incr.	●	●	●	ET ECN1313SSI
		ECN 1313 / ENDAT / 2048 Incr.	●	●	●	ET ECN1313ENDAT
6.	Power connection plug	for $I_N \leq 35$ A	●	●	●	ET 37 73 320 5006
		for $I_N > 35$ A			●	ET 37 73 320 4099
7.	Terminal box	for $I_N \leq 35$ A	●	●	●	ET 36 19 900 0809
		for $I_N > 35$ A			●	ET 36 19 900 0808
8.	Overexcitation rectifier	BEG-561-255-130	●	●	●	ET 35 37 210 0111
9.	Micro-switch		●	●	●	ET 37 74 210 0807
10.	Connection plug		●	●	●	ET 45 78 332 2998
11.	Female connection plug		●	●	●	ET 45 78 332 2999

3. Tools

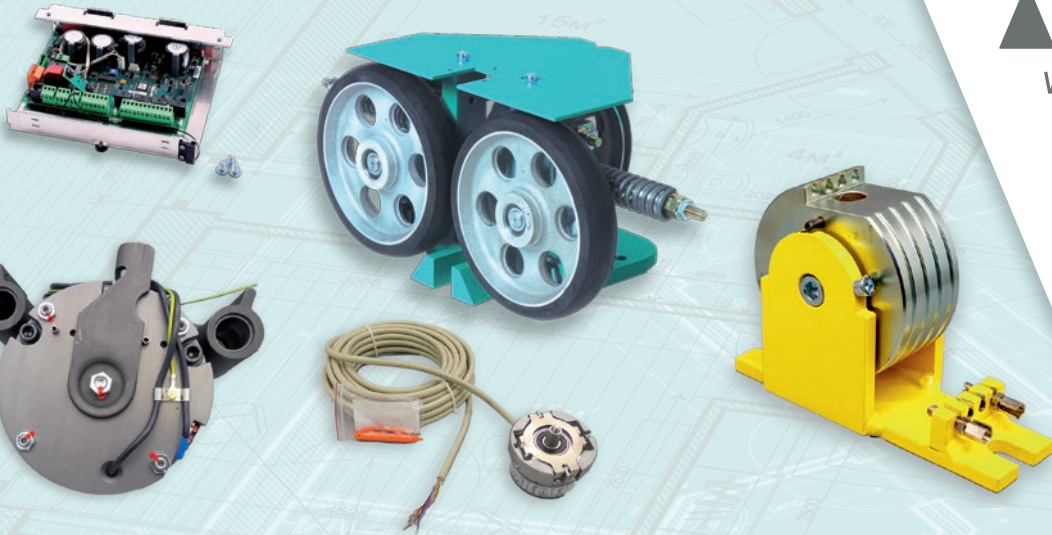
Part description	Variant description	Part number	Use on WSG-		
			MF.1	MF.2	MF.3
Changing traction sheave tool	Service kit TK	Service kit TK-MF	●	●	●

Gearless Lift Machine
WSG-MF
Spare parts catalogue

Code: SM.8.005972.EN
Date: 07. Feb 2022
Version: A0
Page: 7

4. Accessories

Part description	Variant description	Part number	Use on WSG-		
			MF.1	MF.2	MF.3
Brake manual release (comp.) - remotely controlled	for BFK 464-22R	BLÜ 464-22R 3M	●		
	for BFK 464-25R	BLÜ 464-25R 3M		●	
	for BFK 464-28R	BLÜ 464-28R 3M			●
Brake manual release (comp.) - for machine room	for BFK 464-22R	BLÜ 464-22R RO	●		
	for BFK 464-25R	BLÜ 464-25R RO		●	
	for BFK 464-28R	BLÜ 464-28R RO			●
Bowden cable	for BFK 464 - 22R - lenght: 3 m	ET 35 76 000 1053	●		
	for BFK 464 - 25R - lenght: 3 m	ET 35 76 000 1049		●	
	for BFK 464 - 22R - lenght: 3 m	ET 35 76 000 1052			●
Return motion device	for $D_T=480/520$ mm; $B_T=105$ mm	M-RÜCK 300 0801	●	●	●
Brake switch contact cover		ET 32 19 211 0140	●	●	●
Motor cable set for terminal box	1.5 mm ² power cable	K 503 458 121-xx	●	●	●
	2.5 mm ² power cable	K 503 458 221-xx	●	●	●
	4.0 mm ² power cable	K 503 458 421-xx		●	●
Motor cable set for terminal box - halogen free	1.5 mm ² power cable	K 514 073 121-xx	●	●	●
	2.5 mm ² power cable	K 514 073 221-xx	●	●	●
	4.0 mm ² power cable	K 514 073 421-xx		●	●
Encoder cable	F-Pack / Danfoss	K 514 273 022 xx	●	●	●
	E-Pack / Arkel ARCODE	K 503 715 022 xx	●	●	●
	Arkel ADrive / CT unidrive SP / E	K 502 452 021 xx	●	●	●
	Fuji Frenic	K 502 679 022 xx	●	●	●
	RST Electronic	K 508 752 022-xx	●	●	●
	Vacon NXP	K 503 289 021-xx	●	●	●
	Yaskawa/ Omron L7	K 503 715 022-xx	●	●	●
	Ziehl-Abegg 4C	K 504 503 022-xx	●	●	●



WITTUR ORIGINAL SPARE PARTS

“A machine is only as good as the parts it's made of”



SAFETY

Wittur Original Spare Parts have undergone rigorous testing to meet the highest standards of safety and performance.



QUALITY

Wittur Original Spare Parts are designed, built and tested to guarantee reliability and long-lasting quality.



PERFECT FIT

Wittur Original Spare Parts are made to fit your Wittur product perfectly.

To insure your Wittur product is professionally serviced, use the only spare parts that are always guaranteed to carry the same quality and performance as the Wittur product itself – **Wittur Original Spare Parts**.

All **Wittur Original Spare Parts** have been designed, tested and manufactured according to Wittur's detailed specifications, in order to optimally interact with all the parts and systems of your elevator.

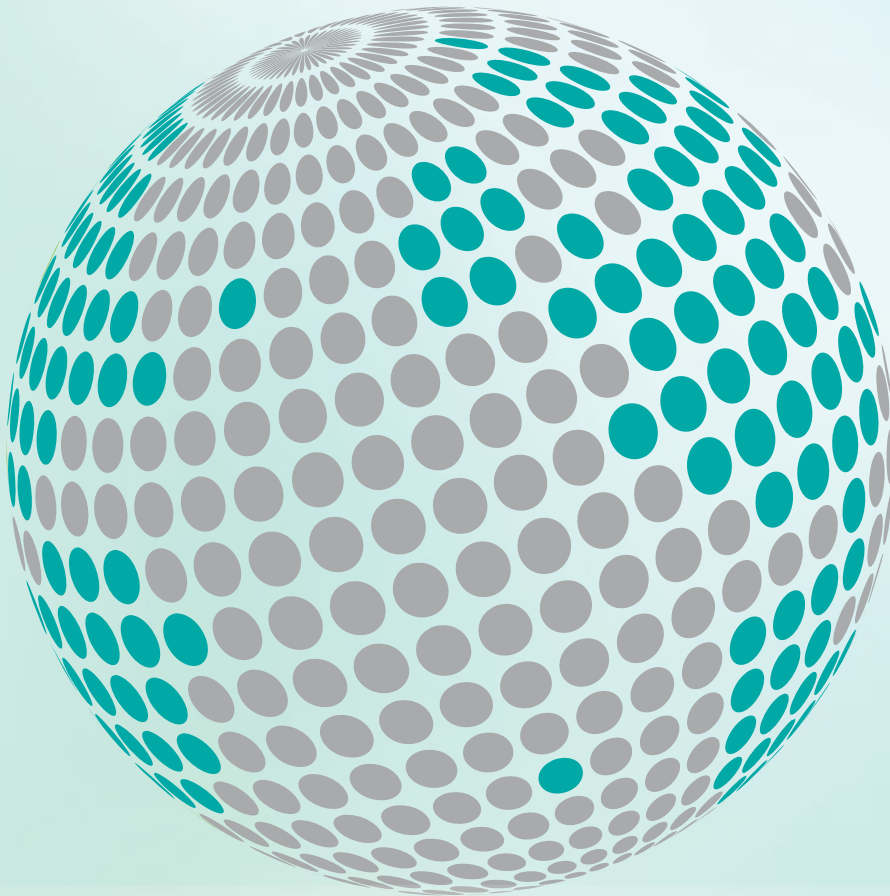
You trust in the longevity of your Wittur product - and you choose **Wittur Original Spare Parts** to support this longevity.

Visit us at wittur.com

To buy **Wittur Original Spare Parts**, please contact your local Wittur subsidiary.



**YOUR GLOBAL PARTNER FOR COMPONENTS,
MODULES AND SYSTEMS IN THE ELEVATOR INDUSTRY**



www.wittur.com

More information
about Wittur Group
available on-line.

