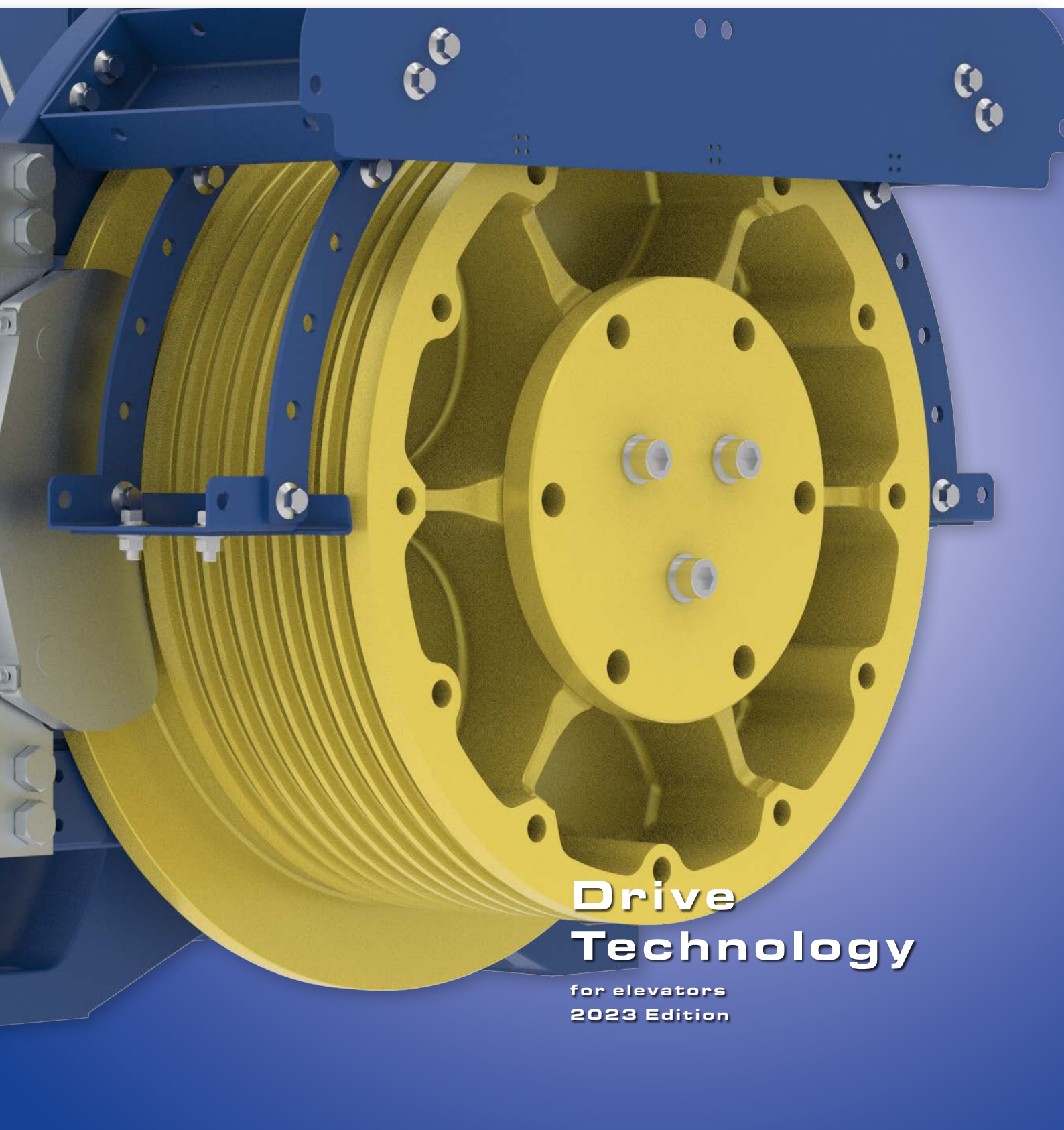


Movement by Perfection











Drive Technology

for elevators
2023 Edition

The Royal League in ventilation, control and drive technology

Contents

The ZIEHL-ABEGG Company	Page 2	Information
Gearless elevator machines ZAtop	Page 4	ZAtop
		
Gearless elevator machines ZAtopx	Page 26	ZAtopx
		
Gearless elevator machines ZAsyn	Page 32	ZAsyn
		
Gearless elevator machines ZAdisc	Page 42	ZAdisc
		
Gearless elevator machines ZAtop AM	Page 48	ZAtop AM
		
System components	Page 56	System components motors
		
Control technology	Page 74	Control technology
		
System components control technology	Page 90	System components control technology
		
General notes	Page 121	Appendix



Welcome to the world of ZIEHL-ABEGG

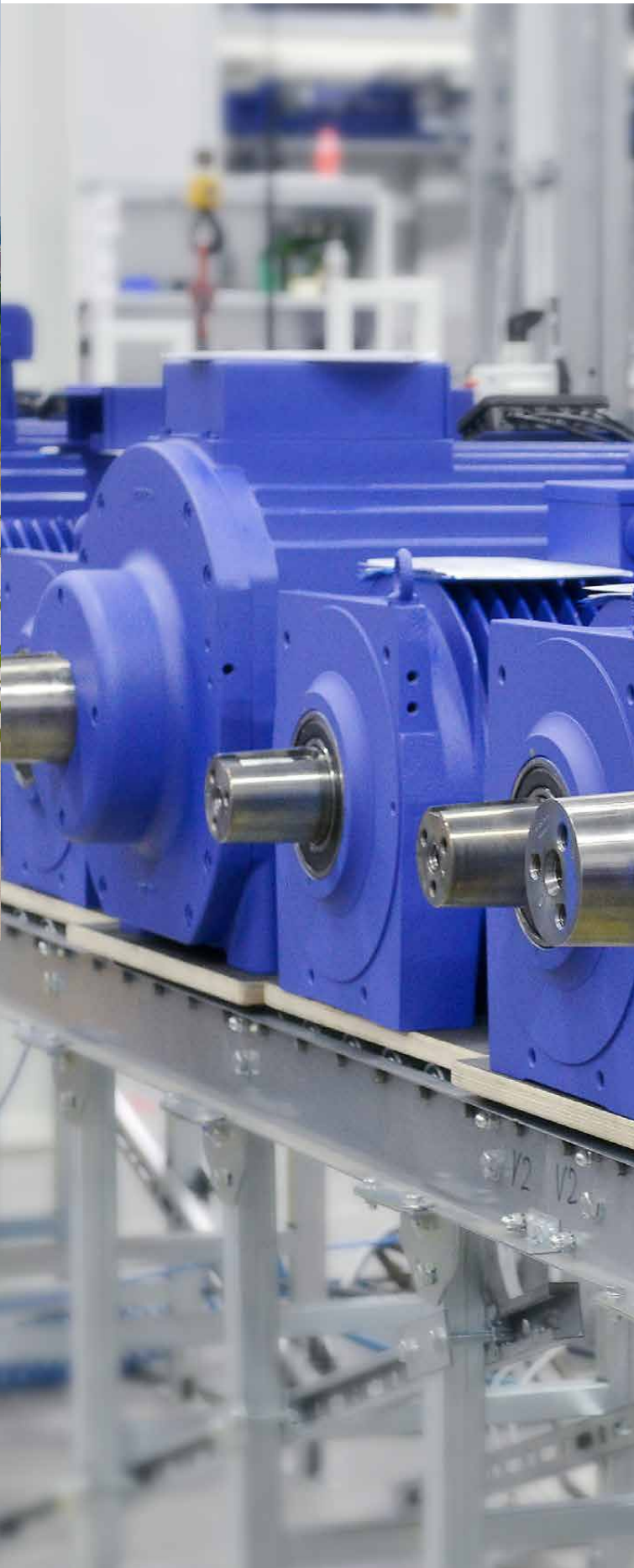
Top technology „Made by ZIEHL-ABEGG“

A pioneering spirit and the courage of innovation were the driving forces behind Emil Ziehl's development of his first external rotor motor over a hundred years ago. With this he laid the corner stone for the success story of ZIEHL-ABEGG in 1910. Today, the family company ZIEHL-ABEGG, with its headquarters in Künzelsau, develops, produces and sells high quality, high-tech components: Fans, special electric motors and their perfectly adapted, state-of-the-art control technology. Still today, Emil Ziehl's pioneering spirit is the motivator for making good even better and finding new, revolutionary solutions. ZIEHL-ABEGG is based in Southern Germany but is at home all over the world. At the world-wide production and sales sites, thousands of employees develop, produce and sell technical, economical and ecological progress.

Welcome to the world of ventilation, control and drive technology.

Your contact into the world of ZIEHL-ABEGG

Would you like to learn more about the company ZIEHL-ABEGG, its products and applications? Your current direct contact partners can always be found at www.ziehl-abegg.com



Reliability, Output, Drive comfort

Elevator technology from ZIEHL-ABEGG

Millions of people ride elevators day for day all over the world. They ride quickly, safely and comfortably up to their offices, apartments or hotel rooms and back down again. They have good reason to trust this technology because many elevator manufacturers put their trust in the decisive contribution that ZIEHL-ABEGG makes to reliability and drive comfort. It is the drive and control engineering, the „heart“ and „soul“ of the elevator. One of the reasons for this trust is ZIEHL-ABEGG's ability to adapt the motor and control engineering to the manufacturer's specific requirements regardless of how far up or down the elevator is to travel and how much space is available. Another good reason is the ZIEHL-ABEGG know-how based on their 100 years of experience. It is the visions of the elevator manufacturers that become reality in the drive and control systems made by ZIEHL-ABEGG.

The Royal League of elevator machines

Maximum benefit for manufacturers and user

Meeting the requirements of elevator builders, owners and passengers is the decisive success factor for elevator manufacturers. As a partner to leading manufacturers, ZIEHL-ABEGG constantly strives to make the maximum contribution to satisfying these needs. This goal is reflected in many ways. For example in the cost saving and environmentally friendliness of the elevators thanks to the high efficiency of the ZIEHL-ABEGG motor technology with the precisely adapted control technology. Or in the certainty of getting the ideal drive for every architectural and constructional requirement: Low-noise, with and without gear, as a synchronous or asynchronous motor, with powerful, compact drives right down to small motors for minimal shaft volumes. ZIEHL-ABEGG also demonstrates their solution competence in highly intelligent frequency inverters and evacuation units and in user-friendly diagnostic software. But the root of all considerations is still the passenger and the fulfilment of his needs: Maximum reliability and greatest drive comfort. ZIEHL-ABEGG makes the best possible contribution to this.

Information

ZAtop

ZAtopx

ZAsyn

ZAdisc

ZAtop AM

System compo-
nents motorsControl
technologySystem com-
ponents control
technology

Appendix

BEGG 



Gearless elevator machine ZAtop

Product overview

Information	Page 6
ZAtop SM132/A	Page 8
ZAtop SM132/B	Page 10
ZAtop SM180	Page 12
ZAtop SM190	Page 14
ZAtop SM200	Page 16
ZAtop SM210	Page 18
ZAtop SM250B / SM250D	Page 20
ZAtop SM250C	Page 22
ZAtop SM315	Page 24

Information

ZAtop

ZAtopx

ZAsyn

ZAdisc

ZAtop AM

System components
motorsControl
technologySystem components
control
technology

Appendix



ZAtop Gearless elevator machine

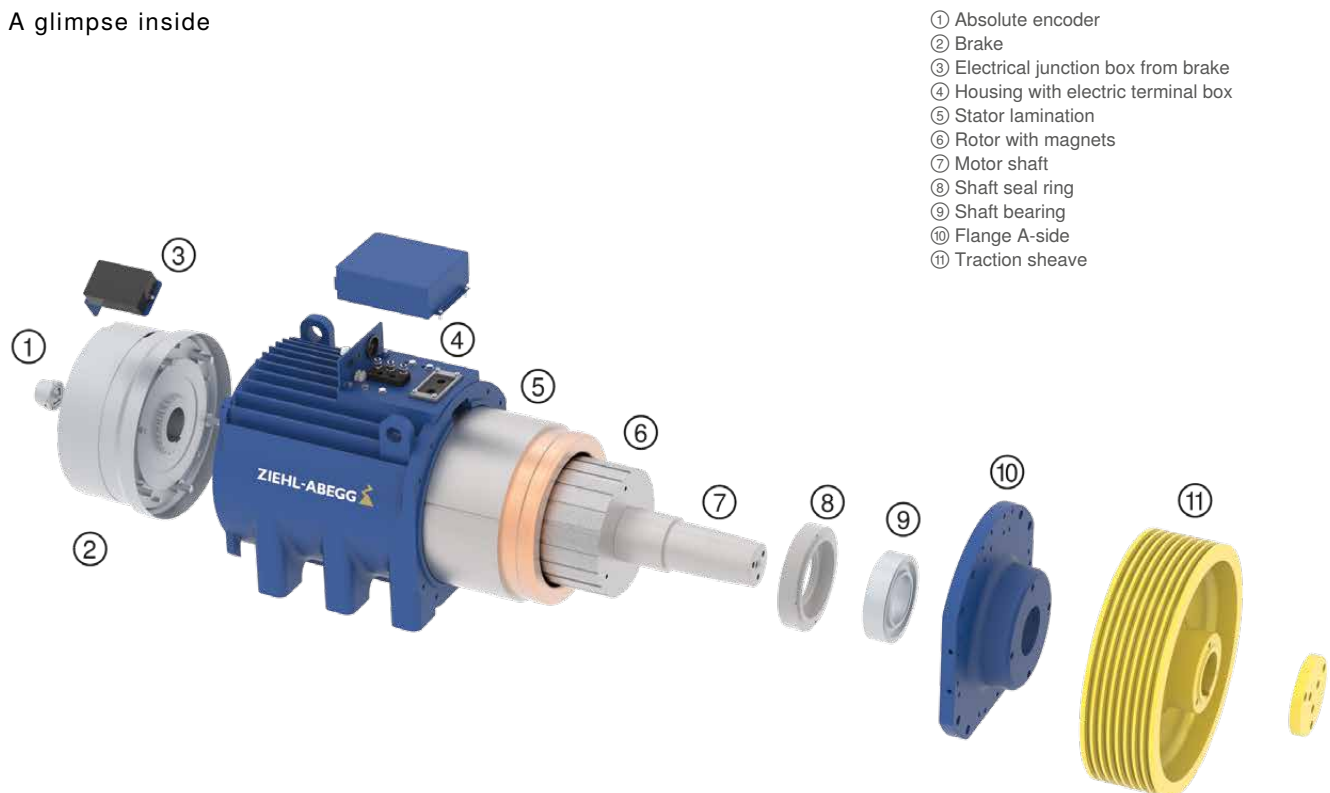
General information

The TOP solution for elevators with and without machine rooms

Properties

- Gearless synchronous motor actuated by NdFeB permanent magnets
- Internal rotor motor
- In accordance with the provisions of the Lift Directive 2014/33/EU
- Different sizes for optimal shaft and shaft head dimensions
- High level of efficiency
- Noise emissions < 50 dB(A)
- Insulation class F (155°C) with temperature monitoring via PTC thermistor
- Travelling speeds of up to 4.0 m/s
- Rope diameter from 4.0 mm to 16.0 mm
- Traction sheaves:
 - Diameter from 120 mm to 640 mm
 - Various groove geometries
- Motor brake:
 - Safety component in accordance with Lift Directive 2014/33/EU
 - Separately controllable brake circuits
 - Deployable as an element of the ascending car overspeed protection means
 - Deployable as part of the protection against unintended car movement
 - Mechanical hand release system (optional)
- Can be equipped with conventional encoder systems (e. B. EnDat, SSI, SinCos)
- Optimal package solution with ZIEHL-ABEGG ZAdyn frequency inverter

A glimpse inside



Product portfolio ZAtop

ZIEHL-ABEGG offers you the most comprehensive range of gearless elevator machines with the greatest flexibility and variability.

Suspension	Max. payload kg	Traction sheave diameter mm	Max. axle load kg	Nominal torque Nm	Motor type	
2:1	1050	120 - 160	2400	120 - 200	SM132/A	 Page 8
	1050	120 - 200	2400	120 - 200	SM132/B	 Page 10
	1275	160 - 240	1500 - 2500	215 - 445	SM180	 Page 12
	750	200 - 320	1850	180 - 250	SM190	 Page 14
	2000	160 - 500	1850 - 3600	250 - 710	SM200	 Page 16
	2500	240 - 520	4500	850 - 1000	SM210	 Page 18
	3000	320 - 640	6000 - 8000	1120 - 2500	SM250.45 SM250.60 SM250.80	 Page 20
	3700	420 - 520	13000	2100 - 2650	SM250.100	 Page 22
	5000	520 - 640	13000	5000	SM315.100	 Page 24

Information

ZAtop

ZAtopx

ZAsyn

ZAdisc

ZAtop AM

System components motors

Control technology

System components control technology

Appendix

ZAtop Gearless elevator machine

SM132/A/AS



Synchronous motor actuated by permanent magnets and according to the provisions of the Lift Directive 2014/33/EU

Drive

- NdFeB magnets
- Structural width ≤ 205 mm for the narrowest shaft dimensions
- Noise emissions: < 50 dB(A)
- Insulation class F with temperature monitoring

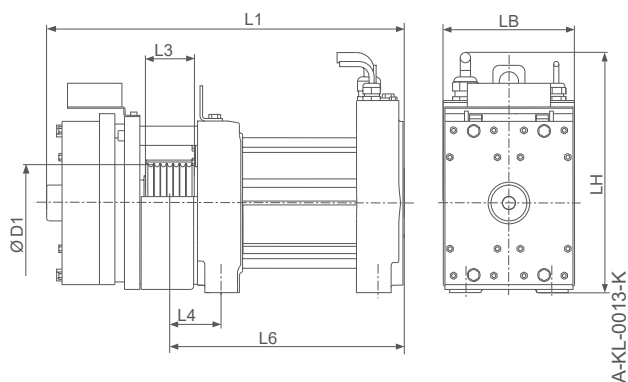
Brake system

- Safety component in accordance with Lift Directive 2014/33/EU
- Separately activated brake circuits
- Deployable as an element of the ascending car overspeed protection means
- Deployable as part of the protection against unintended car movement

Deflection pulleys	Page 68
ZAlift	Page 73

Technical data

SM132/A/AS



Motor type	Nominal torque Nm	Max. axle load kg	Nominal speed rpm	Rated output power kW	L1 mm	LH mm	L4 mm	L6 mm	LB mm	D1 mm	L3 mm	Weight kg
SM132.21-14/A	120	2400	162 - 510	2.0 - 6.4	468	450	70	286	205	120	56	110
SM132.21-14/AS			162 - 324	2.0 - 4.1						160		114
SM132.35-14/A			162 - 510	3.4 - 10.7						120	76	133
SM132.35-14/AS			160	138								
	210	120	135									
									160		140	

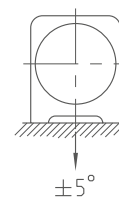


Scope of delivery and options

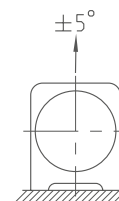
SM132/A	Standard	Options
Motor	Gearless elevator machine	-
Traction sheave	See D1	-
Brake	Certified brake system	Mechanical hand release
Brake monitoring	Microswitch	Inductive proximity switches
Motor cable	5 m	10 m, 15 m, 20 m, 25 m halogen free
Absolute encoder	EnDat	BiSS-C / SSI / SinCos / TTL
Rope guard	2 pieces	3. Rope guard
Temperature monitoring	PTC thermistor	PT100-thermistor
Cooling	Surface cooling	-

Resulting rope force

ZAtop SM132/A



ZAtop SM132/AS



Example configurations

Other configurations, also outside of the examples listed below, are possible.
Our calculation software ZAlift is available to you for fast and convenient calculation of your elevator machine.

Suspension	Payload	Speed	Traction sheave	Motor type	Number of ropes	Rope diameter	Motor power		Rated current
	kg						m/s	mm	kW
1:1	300	1.00	120	SM132.21-14/A	5	6.5	2.0	7.0	
	480	1.00	120	SM132.35-14/A	7		3.4	11.0	
	525	1.60	120	SM132.35-14/A	7		5.4	15.0	
2:1	450	1.00	160	SM132.21-14/A	5		3.2	10.0	
	480	1.60	160	SM132.21-14/A	5		4.8	14.0	
	630	1.00	120	SM132.21-14/A	5		4.1	13.0	
	630	1.60	120	SM132.21-14/A	5		6.4	17.0	
	800	1.60	160	SM132.35-14/A	7		8.0	21.0	
	1050	1.00	120	SM132.35-14/A	7		6.8	19.0	
	1050	1.60	120	SM132.35-14/A	7	10.7	30.0		

ZAtop Gearless elevator machine

SM132/B/BS



Synchronous motor actuated by permanent magnets and according to the provisions of the Lift Directive 2014/33/EU

Drive

- NdFeB magnets
- Structural width ≤ 205 mm for the narrowest shaft dimensions
- Noise emissions: < 50 dB(A)
- Insulation class F with temperature monitoring

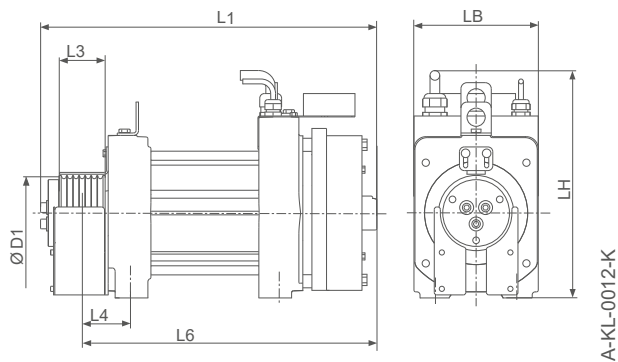
Brake system

- Safety component in accordance with Lift Directive 2014/33/EU
- Separately activated brake circuits
- Deployable as an element of the ascending car overspeed protection means
- Deployable as part of the protection against unintended car movement

Deflection pulleys	Page 68
ZAlift	Page 73
Machine frames	Page 58

Technical data

SM132/B/BS



Motor type	Nominal torque Nm	Max. axle load kg	Nominal speed rpm	Rated output power kW	L1 mm	LH mm	L4 mm	L6 mm	LB mm	D1 mm	L3 mm	Weight kg
SM132.21-14/B	120	2400	162 - 510	2.0 - 6.4	465	450	70	405	205	120	56	101
160										105		
220										200		106
SM132.21-14/BS										210	120	103
										160	107	
SM132.35-14/B	200			3.4 - 10.7	555		80	485	205	120	76	124
160										129		
220										200		130
SM132.35-14/BS										210	120	126
										160	131	

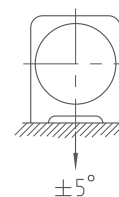


Scope of delivery and options

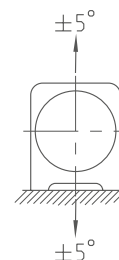
SM132/B	Standard	Options
Motor	Gearless elevator machine	-
Traction sheave	See D1	-
Brake	Certified brake system	Mechanical hand release
Brake monitoring	Microswitch	Inductive proximity switches
Motor cable	5 m	10 m, 15 m, 20 m, 25 m halogen free
Absolute encoder	EnDat	BiSS-C / SSI / SinCos / TTL
Rope guard	2 pieces	3. Rope guard
Temperature monitoring	PTC thermistor	PT100-thermistor
Cooling	Surface cooling	-

Resulting rope force

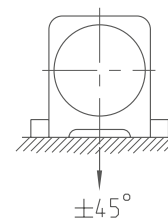
ZAtop SM132/B



ZAtop SM132/BS



ZAtop SM132/BS



with lateral form lock support

Example configurations

Other configurations, also outside of the examples listed below, are possible. Our calculation software ZAlift is available to you for fast and convenient calculation of your elevator machine.

Suspension	Payload kg	Speed m/s	Traction sheave mm	Motor type	Number of ropes	Rope diameter mm	Motor power kW	Rated current A
1:1	300	1.00	120	SM132.21-14/B	5	6.5	2.0	7.0
	480	1.00	120	SM132.35-14/B	7		3.4	11.0
	525	1.60	120	SM132.35-14/B	7		5.4	15.0
2:1	400	1.00	200	SM132.21-14/B	5		3.2	10.0
	450	1.00	160	SM132.21-14/B	5		3.2	10.0
	480	1.60	160	SM132.21-14/B	5		4.8	14.0
	525	1.00	200	SM132.35-14/B	7		5.4	15.0
	630	1.00	120	SM132.21-14/B	5		4.1	13.0
	630	1.60	120	SM132.21-14/B	5		6.4	17.0
	800	1.60	160	SM132.35-14/B	7	8.0	21.0	
	1050	1.00	120	SM132.35-14/B	7	6.8	19.0	
1050	1.60	120	SM132.35-14/B	7	10.7	30.0		

Information

ZAtop

ZAtopx

ZAsyn

ZAdisc

ZAtop-AM

System components motors

Control technology

System components control technology

Appendix



ZAtop Gearless elevator machine

SM180



Synchronous motor actuated by permanent magnets and according to the provisions of the Lift Directive 2014/33/EU

Drive

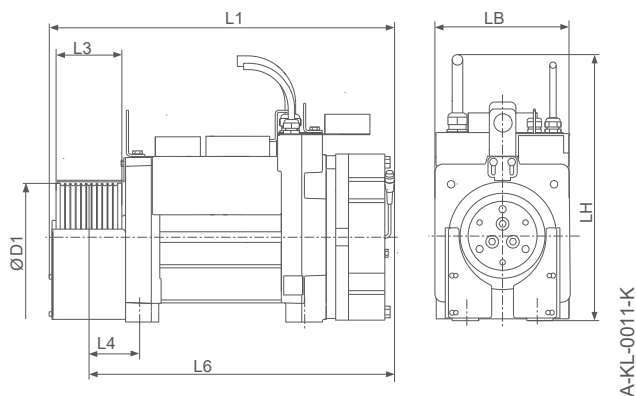
- NdFeB magnets
- Structural width ≤ 255 mm for the narrowest shaft dimensions
- Noise emissions: < 50 dB(A)
- Insulation class F with temperature monitoring

Brake system

- Safety component in accordance with Lift Directive 2014/33/EU
- Separately activated brake circuits
- Deployable as an element of the ascending car overspeed protection means
- Deployable as part of the protection against unintended car movement

Technical data

SM180



Deflection pulleys	Page 68
Forced ventilation	Page 70
ZAlift	Page 73
Motor cables	Page 108

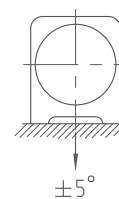
Motor type	Nominal torque Nm	Max. axle load kg	Nominal speed rpm	Rated output power kW	L1 mm	LH mm	L4 mm	L6 mm	LB mm	D1 mm	L3 mm	Weight kg
SM180.24C	215	1500	162 - 384	3.6 - 8.6	500	500	77	428	255	120	68	147
										160	68	152
										200	68	155
										240	76	156
SM180.35C	295	1850	162 - 384	5.0 - 11.9	566	500	83	490	255	120	76	173
										160	76	178
										200	76	182
										240	88	183
SM180.45C	385	2500	162 - 306	6.5 - 12.3	633	500	101	558	255	200	106	209
										240	124	210
										240	106	217
										240	124	219
SM180.46C	445	2500	162 - 306	7.5 - 13.8	633	500	101	558	255	200	106	219
										240	124	220
										240	106	226
										240	124	229



Scope of delivery and options

SM180	Standard	Options
Motor	Gearless elevator machine	-
Traction sheave	See D1	-
Brake	Certified brake system	Mechanical hand release system with or without bowden cables
Brake monitoring	Microswitch	Inductive proximity switches
Motor cable	-	10 m, 15 m, 20 m, 25 m halogen free
Absolute encoder	EnDat	BiSS-C / SSI / SinCos / TTL
Rope guard	2 pieces	3. Rope guard
Temperature monitoring	PTC thermistor	PT100-thermistor
Cooling	Surface cooling	Forced ventilation

Resulting rope force



Example configurations

Other configurations, also outside of the examples listed below, are possible. Our calculation software ZAlift is available to you for fast and convenient calculation of your elevator machine.

Suspension	Payload kg	Speed m/s	Traction sheave mm	Motor type	Number of ropes	Rope diameter mm	Motor power kW	Rated current A
2:1	480	1.00	240	SM180.24C-14	7	6 - 6.7	3.6	10.0
	480	2.00	200	SM180.24C-14	7		8.6	22.0
	630	1.60	200	SM180.24C-14	7		6.9	17.0
	675	1.00	200	SM180.24C-14	7		4.3	11.0
	675	1.00	240	SM180.35C-14	8		5.0	13.0
	675	1.60	240	SM180.35C-14	8		8.0	19.0
	800	1.60	200	SM180.35C-14	8		9.5	21.0
	800	1.60	240	SM180.45C-14	11		10.4	27.0
	1000	1.00	240	SM180.45C-14	11		6.5	17.5
	1150	1.60	200	SM180.45C-14	11		12.3	30.0
	1250	1.60	240	SM180.46C-14	11		12.0	31.0
	1275	1.00	240	SM180.46C-14	11		7.5	20.0

ZAtop Gearless elevator machine

SM190



Synchronous motor actuated by permanent magnets and according to the provisions of the Lift Directive 2014/33/EU

Drive

- NdFeB magnets
- Structural width ≤ 322 mm for the narrowest shaft dimensions
- Noise emissions: < 50 dB(A)
- Insulation class F with temperature monitoring

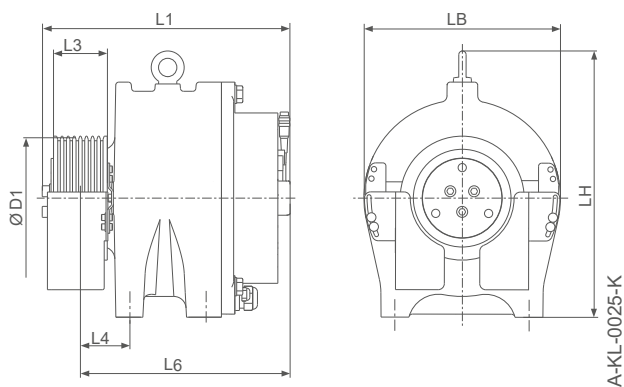
Brake system

- Safety component in accordance with Lift Directive 2014/33/EU
- Separately activated brake circuits
- Deployable as an element of the ascending car overspeed protection means
- Deployable as part of the protection against unintended car movement

Machine frames	Page 58
Deflection pulleys	Page 68
Adapter plates	Page 67
ZAlift	Page 73

Technical data

SM190



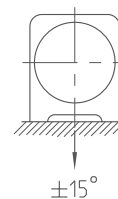
Motor type	Nominal torque Nm	Max. axle load kg	Nominal speed rpm	Rated output power kW	L1 mm	LH mm	L4 mm	L6 mm	LB mm	D1 mm	L3 mm	Weight kg
SM190.11B-20	180	1850	168 - 192	3.2 – 3.6	406	436	81	344	322	200	76	121
										240	66	125
SM190.15B-20	250		120 – 192	3.1 – 5.0						200	88	132
										240	76	137
									366	320	74	143



Scope of delivery and options

SM190	Standard	Options
Motor	Gearless elevator machine	-
Traction sheave	See D1	-
Brake	Certified brake system	Mechanical hand release
Brake monitoring	Microswitch	-
Motor cable	10 m	-
Absolute encoder	BiSS-C / SSI / SinCos	EnDat
Rope guard	2 pieces	-
Temperature monitoring	PTC thermistor	-
Cooling	Surface cooling	-

Resulting rope force



without lateral form lock support

Example configurations

Other configurations, also outside of the examples listed below, are possible. Our calculation software ZAlift is available to you for fast and convenient calculation of your elevator machine.

Suspension	Payload kg	Speed m/s	Traction sheave mm	Motor type	Number of ropes	Rope diameter mm	Motor power kW	Rated current A
1:1	300	1.60	240	SM190.15B-20	6	6.5	4.4	10.7
	375	2.00	200	SM190.15B-20	8	6.5	5.0	10.7
2:1	450	1.00	240	SM190.11B-20	4	6.5	4.4	10.0
	480	1.00	200	SM190.11B-20	5	6.5	5.0	11.0
	480	1.00	320	SM190.15B-20	3	8.0	3.1	10.7
	630	1.00	240	SM190.15B-20	6	6.5	4.4	12.8
	675	1.00	200	SM190.15B-20	7	6.5	5.0	14.3
	750	1.00	200	SM190.15B-20	8	6.5	5.0	14.3

Information

ZAtop

ZAtopx

ZAsyn

ZAdisc

ZAtop AM

System components motors

Control technology

System components control technology

Appendix



ZAtop gearless elevator machine

SM200



SM200.15D/20D/30D



SM200.40E/45E

Synchronous motor actuated by permanent magnets and according to the provisions of the Lift Directive 2014/33/EU

Drive

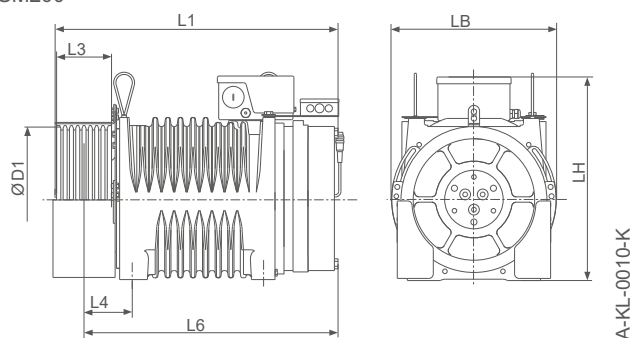
- NdFeB magnets
- Structural width ≤ 320 mm for the narrowest shaft dimensions
- Noise emissions: < 50 dB(A)
- Insulation class F with temperature monitoring

Brake system

- Safety component in accordance with Lift Directive 2014/33/EU
- Separately activated brake circuits
- Deployable as an element of the ascending car overspeed protection means
- Deployable as part of the protection against unintended car movement

Technical data

SM200



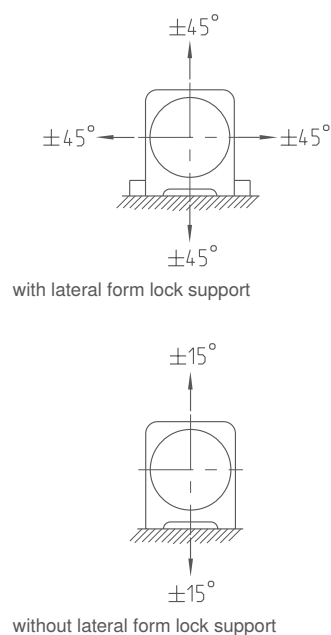
Motor cables	Page 108
Machine frames	Page 58
Deflection pulleys	Page 68
Adapter plates	Page 67
Forced ventilation	Page 70
ZAlift	Page 73

Motor type	Nominal torque Nm	Max. axle load kg	Nominal speed rpm	Rated output power kW	L1 mm	LH mm	L4 mm	L6 mm	LB mm	D1 mm	L3 mm	Weight kg		
SM200.15D-20	250	1855	96 - 306	2.5 - 8.0	491	438	81	428	320	160	76	150		
										200	88	155		
										240		162		
SM200.23D-20	380	2575 - 2850	96 - 306	3.8 - 12.2	513	451	96	443	320	160	106	175		
										200	124	184		
										240		193		
										360	320	110	196	
										422	400	92	208	
SM200.30D-20	450 - 475	2690 - 2850	60 - 306	3.0 - 14.4	568	451	105	569	320	200	106	214		
											124	215		
										240		224		
										360	320	110	227	
										422	400	92	239	
SM200.40E-20	600	3300 - 3600	96 - 300	6.0 - 18.8	654	451	105	569	322	160	106	280		
					632					97	561	200	282	
												240	124	295
					681					122	586		173	303
					632					102	566	360	320	122
SM200.45E-20	650 - 710	3300 - 3600	60 - 300	4.5 - 20.4	654	451	105	569	322	160	106	280		
					632					97	561	200	282	
												240	124	295
					681					122	586		173	303
					632					102	566	360	320	122
SM200.45E-20	650 - 710	3300 - 3600	60 - 300	4.5 - 20.4	654	451	105	569	322	160	106	280		
					632					97	561	200	282	
												240	124	295
					681					122	586		173	303
					632					102	566	360	320	122
SM200.45E-20	650 - 710	3300 - 3600	60 - 300	4.5 - 20.4	654	451	105	569	322	160	106	280		
					632					97	561	200	282	
												240	124	295
					681					122	586		173	303
					632					102	566	360	320	122
SM200.45E-20	650 - 710	3300 - 3600	60 - 300	4.5 - 20.4	654	451	105	569	322	160	106	280		
					632					97	561	200	282	
												240	124	295
					681					122	586		173	303
					632					102	566	360	320	122
SM200.45E-20	650 - 710	3300 - 3600	60 - 300	4.5 - 20.4	654	451	105	569	322	160	106	280		
					632					97	561	200	282	
												240	124	295
					681					122	586		173	303
					632					102	566	360	320	122
SM200.45E-20	650 - 710	3300 - 3600	60 - 300	4.5 - 20.4	654	451	105	569	322	160	106	280		
					632					97	561	200	282	
												240	124	295
					681					122	586		173	303
					632					102	566	360	320	122
SM200.45E-20	650 - 710	3300 - 3600	60 - 300	4.5 - 20.4	654	451	105	569	322	160	106	280		
					632					97	561	200	282	
												240	124	295
					681					122	586		173	303
					632					102	566	360	320	122
SM200.45E-20	650 - 710	3300 - 3600	60 - 300	4.5 - 20.4	654	451	105	569	322	160	106	280		
					632					97	561	200	282	
												240	124	295
					681					122	586		173	303
					632					102	566	360	320	122
SM200.45E-20	650 - 710	3300 - 3600	60 - 300	4.5 - 20.4	654	451	105	569	322	160	106	280		
					632					97	561	200	282	
												240	124	295
					681					122	586		173	303
					632					102	566	360	320	122
SM200.45E-20	650 - 710	3300 - 3600	60 - 300	4.5 - 20.4	654	451	105	569	322	160	106	280		
					632					97	561	200	282	
												240	124	295
					681					122	586		173	303
					632					102	566	360	320	122
SM200.45E-20	650 - 710	3300 - 3600	60 - 300	4.5 - 20.4	654	451	105	569	322	160	106	280		
					632					97	561	200	282	
												240	124	295
					681					122	586		173	303
					632					102	566	360	320	122
SM200.45E-20	650 - 710	3300 - 3600	60 - 300	4.5 - 20.4	654	451	105	569	322	160	106	280		
					632					97	561	200	282	
												240	124	295
					681					122	586		173	303
					632					102	566	360	320	122
SM200.45E-20	650 - 710	3300 - 3600	60 - 300	4.5 - 20.4	654	451	105	569	322	160	106	280		
					632					97	561	200	282	
												240	124	295
					681					122	586		173	303
					632					102	566	360	320	122
SM200.45E-20	650 - 710	3300 - 3600	60 - 300	4.5 - 20.4	654	451	105	569	322	160	106	280		
					632					97	561	200	282	
												240	124	295
					681					122	586		173	303
					632					102	566	360	320	122
SM200.45E-20	650 - 710	3300 - 3600	60 - 300	4.5 - 20.4	654	451	105	569	322	160	106	280		
					632					97	561	200	282	
												240	124	295
					681					122	586		173	303
					632					102	566	360	320	122
SM200.45E-20	650 - 710	3300 - 3600	60 - 300	4.5 - 20.4	654	451	105	569	322	160	106	280		
					632					97	561	200	282	
												240	124	295
					681					122	586		173	303
					632					102	566	360	320	122
SM200.45E-20	650 - 710	3300 - 3600	60 - 300	4.5 - 20.4	654	451	105	569	322	160	106	280		
					632					97	561	200	282	
												240	124	295
					681					122	586		173	303
					632					102	566	360	320	122
SM200.45E-20	650 - 710	3300 - 3600	60 - 300	4.5 - 20.4	654	451	105	569	322	160	106	280		
					632					97	561	200	282	
												240	124	295
					681					122	586		173	303
					632					102	566	360	320	122
SM200.45E-20	650 - 710	3300 - 3600	60 - 300	4.5 - 20.4	654	451	105	569	322	160	106	280		
					632					97	561	200	282	
												240	124	295
					681					122	586		173	303
					632					102	566	360	320	122
SM200.45E-20	650 - 710	3300 - 3600	60 - 300	4.5 - 20.4	654	451	105	569	322	160	106	280		
					632					97	561	200	282	
												240	124	295
					681					122	586		173	303
					632					102	566	360	320	122
SM200.45E-20	650 - 710	3300 - 3600	60 - 300	4.5 - 20.4	654	451	105	569	322	160	106	280		
					632					97	561	200	282	
												240	124	295
					681					122	586		173	303
					632					102	566	360	320	122
SM200.45E-20	650 - 710	3300 - 3600	60 - 300	4.5 - 20.4	654	451	105	569	322	160	106	280		
					632					97	561	200	282	
												240	124	295
					681					122	586		173	303
					632					102	566	360	320	122
SM200.45E-20	650 - 710	3300 - 3600	60 - 300	4.5 - 20.4	654	451	105	569	322	160	106	280		
					632					97	561	200	282	
												240	124	295
					681					122	586		173	303
					632					102	566	360	320	122
SM200.45E-20	650 - 710	3300 - 3600	60 - 300	4.5 - 20.4	654	451	105	569	322	160	106	280		
					632					97	561	200	282	
												240	124	295
					681					122	586		173	303
					63									

Scope of delivery and options

SM200	Standard	Options
Motor	Gearless elevator machine	-
Traction sheave	See D1	-
Brake	Certified brake system	Mechanical hand release system with or without bowden cables
Brake monitoring	Microswitch	Inductive proximity switches
Motor cable	5 m (SM200.15D to SM200.30D)	10 m, 15 m, 20 m, 25 m halogen free
Absolute encoder	EnDat	BiSS-C / SSI / SinCos / TTL
Rope guard	2 pieces	3. Rope guard
Temperature monitoring	PTC thermistor	PT100-thermistor
Cooling	Surface cooling	Forced ventilation

Resulting rope force



Example configurations

Other configurations, also outside of the examples listed below, are possible. Our calculation software ZAlift is available to you for fast and convenient calculation of your elevator machine.

Suspension	Payload kg	Speed m/s	Traction sheave mm	Motor type	Number of ropes	Rope diameter mm	Motor power kW	Rated current A
1:1	375	1.00	400	SM200.30D-20	5	10.0	3.0	10.5
	450	1.00	160	SM200.15D-20	6	8.1	3.1	10.7
	450	1.00	400	SM200.40E-20	5	10.0	6.0	16.5
	480	1.00	240	SM200.23D-20	11	6.0	3.8	12.0
	525	1.60	320	SM200.45E-20	7	8.0	7.1	20.0
	630	1.00	240	SM200.30D-20	11	6.0	4.8	14.5
	630	1.00	320	SM200.40E-20	7	8.0	6.0	16.5
2:1	450	1.00	400	SM200.23D-20	5	8.0	3.8	12.0
	480	1.00	320	SM200.15D-20	4	8.0	4.4	13.0
	630	1.00	450	SM200.30D-20	5	8.0	4.8	14.5
	630	1.60	240	SM200.15D-20	8	6.0	6.8	19.0
	630	1.60	320	SM200.23D-20	6	8.0	7.6	21.0
	675	1.60	200	SM200.15D-20	8	6.0	8.0	22.0
	800	1.00	500	SM200.40E-20	5	8.0	6.0	16.5
	800	1.60	320	SM200.30D-20	6	8.0	9.6	26.0
	1000	1.00	240	SM200.23D-20	10	6.0	6.7	18.5
	1000	1.00	320	SM200.40E-20	7	8.0	7.5	20.0
	1000	1.00	400	SM200.45E-20	5	10.0	7.1	20.0
	1000	1.60	240	SM200.30D-20	11	6.0	12.8	34.0
	1250	1.60	320	SM200.45E-20	8	8.0	14.3	36.0
	1275	1.00	240	SM200.30D-20	11	6.0	8.4	23.0
	1600	1.00	240	SM200.40E-20	16	6.0	10.6	26.5
1800	1.00	200	SM200.45E-20	8	8.1	14.3	36.0	
2000	1.00	240	SM200.45E-20	16	6.0	11.6	30.0	
4:1	2500	1.00	320	SM200.45E-20	7	8.0	19.2	46.0



- Information
- ZAtop
- ZAtopx
- ZAsyn
- ZAdisc
- ZAtop AM
- System components motors
- Control technology
- System components control technology
- Appendix

ZAtop Gearless elevator machine

SM210



Synchronous motor actuated by permanent magnets and according to the provisions of the Lift Directive 2014/33/EU

Drive

- NdFeB magnets
- Structural width ≤ 340 mm for the narrowest shaft dimensions
- Noise emissions: < 50 dB(A)
- Insulation class F with temperature monitoring

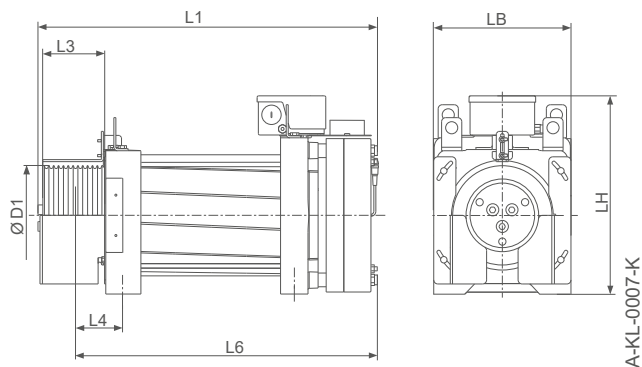
Brake system

- Safety component in accordance with Lift Directive 2014/33/EU
- Separately activated brake circuits
- Deployable as an element of the ascending car overspeed protection means
- Deployable as part of the protection against unintended car movement

Deflection pulleys	Page 68
Forced ventilation	Page 70
ZAlift	Page 73
Motor cables	Page 108

Technical data

SM210



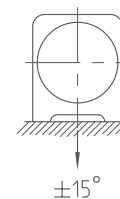
Motor type	Nominal torque Nm	Max. axle load kg	Nominal speed rpm	Rated output power kW	L1 mm	LH mm	L4 mm	L6 mm	LB mm	D1 mm	L3 mm	Weight kg	
SM210.60B-20	800 - 850	4500	60 - 258	5.3 - 21.6	806	491	122	720	340	240	150	420	
										320		425	
										420		400	450
										543		520	480
SM210.70B-20	950 - 1000			6.3 - 25.7	856			770	340	240		445	
										320		450	
									420	400		470	
									543	520		490	



Scope of delivery and options

SM210	Standard	Options
Motor	Gearless elevator machine	-
Traction sheave	See D1	-
Brake	Certified brake system	Mechanical hand release
Brake monitoring	Microswitch	Inductive proximity switches
Motor cable	-	10 m, 15 m, 20 m, 25 m halogen free
Absolute encoder	EnDat	BiSS-C / SSI / SinCos / TTL
Rope guard	2 pieces	3. Rope guard
Temperature monitoring	PTC thermistor	PT100-thermistor
Cooling	Surface cooling	Forced ventilation

Resulting rope force



Example configurations

Other configurations, also outside of the examples listed below, are possible.
Our calculation software ZAlift is available to you for fast and convenient calculation of your elevator machine.

Suspension	Payload	Speed	Traction sheave	Motor type	Number of ropes	Rope diameter	Motor power	Rated current
	kg							
1:1	480	1.00	520	SM210.60B-20	7	12.0	5.3	16.5
	525	1.00	520	SM210.70B-20	7	12.0	6.3	19.0
	675	1.00	400	SM210.60B-20	8	10.0	5.3	16.5
	675	1.60	400	SM210.60B-20	8	10.0	8.5	23.5
	800	1.00	320	SM210.60B-20	10	8.0	5.3	16.5
	800	1.60	320	SM210.60B-20	10	8.0	8.5	23.5
	1000	1.60	320	SM210.70B-20	10	8.0	10.1	28.0
2:1	1250	1.60	400	SM210.60B-20	8	10.0	13.9	35.5
	1600	1.00	320	SM210.60B-20	10	8.0	10.7	29.0
	1600	1.00	400	SM210.70B-20	8	10.0	10.1	28.0
	1600	1.60	400	SM210.70B-20	8	10.0	16.3	42.0
	2000	1.00	320	SM210.70B-20	10	8.0	12.6	33.0
	2500	1.00	240	SM210.60B-20	14	6.5	13.9	35.5
	2650	1.00	240	SM210.70B-20	14	6.5	16.3	42.0
4:1	2500	1.00	320	SM210.60B-20	8	8.0	21.6	54.0
	3000	1.00	400	SM210.70B-20	8	10.0	20.1	51.0

Information

ZAtop

ZAtopx

ZAsyn

ZAdisc

ZAtop AM

System components motors

Control technology

System components control technology

Appendix



ZAtop Gearless elevator machine

SM250.45 / SM250.60 / SM250.80



SM250.45B/60B



SM250.80D

Synchronous motor actuated by permanent magnets and according to the provisions of the Lift Directive 2014/33/EU

Drive

- NdFeB magnets
- For fast elevators of up to 4 m/s
- Noise emissions: < 50 dB(A)
- Insulation class F with temperature monitoring

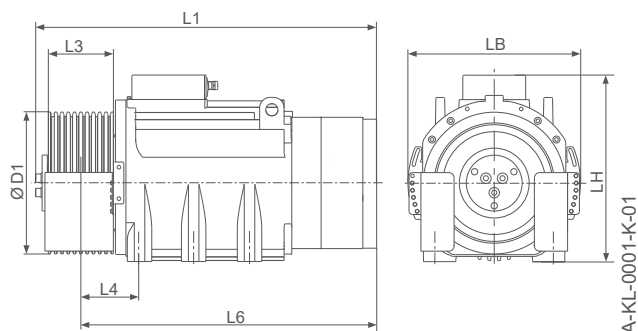
Brake system

- Safety component in accordance with Lift Directive 2014/33/EU
- Separately activated brake circuits
- Deployable as an element of the ascending car overspeed protection means
- Deployable as part of the protection against unintended car movement

Motor cables	Page 108
Machine frames	Page 58
Deflection pulleys	Page 68
Adapter plates	Page 67
Forced ventilation	Page 70
ZAlift	Page 73

Technical data

SM250



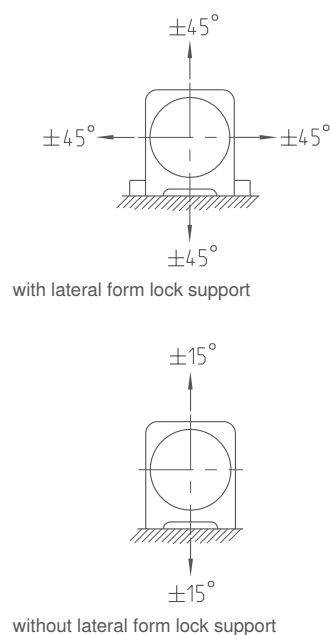
Motor type	Nominal torque Nm	Max. axle load kg	Nominal speed rpm	Rated output power kW	L1 mm	LH mm	L4 mm	L6 mm	LB mm	D1 mm	L3 mm	Weight kg
SM250.45B-20	900 - 1120	6000	60 - 336	7.0 - 31.7	922	535	163	785	410	320	182	635
									425	400	150	640
									500		186	650
									520	500	150	670
									543	520		680
									620	600		695
									660	640		750
SM250.60B-20	1200 - 1600	8000	54 - 300	10.0 - 42.0	984	645	170	999	410	320	182	695
									425	400	150	700
									500		186	715
									520	500	150	735
									543	520		740
									620	600		765
									660	640		810
SM250.80D-20	2000 - 2500	8000	54 - 300	12.6 - 72.3	1147	645	170	999	474	440	200	1020
									546	520		1041
									666	640		1128



Scope of delivery and options

SM250	Standard	Options
Motor	Gearless elevator machine	-
Traction sheave	See D1	-
Brake	Certified brake system	Mechanical hand release
Brake monitoring	Microswitch	Inductive proximity switches
Motor cable	-	10 m, 15 m, 20 m, 25 m halogen free
Absolute encoder	EnDat	BiSS-C / SSI / SinCos / TTL
Rope guard	2 pieces	3. Rope guard
Temperature monitoring	PTC thermistor	PT100-thermistor
Cooling	Surface cooling	Forced ventilation

Resulting rope force



Example configurations

Other configurations, also outside of the examples listed below, are possible. Our calculation software ZAlift is available to you for fast and convenient calculation of your elevator machine.

Suspension	Payload kg	Speed m/s	Traction sheave mm	Motor type	Number of ropes	Rope diameter mm	Motor power kW	Rated current A
1:1	630	1.60	520	SM250.45B-20	7	12.0	7.0	22.0
	1000	1.60	520	SM250.60B-20	7	13.0	10.0	30.0
	1000	2.00	320	SM250.45B-20	10	8.0	14.1	37.0
	1000	2.00	520	SM250.80D-20	9	12.0	18.8	52.0
	1250	1.60	640	SM250.80D-20	7	16.0	14.1	50.0
	1250	2.00	400	SM250.60B-20	10	10.0	16.0	43.0
2:1	1000	1.00	640	SM250.45B-20	8	10.0	7.0	22.0
	1050	1.60	600	SM250.45B-20	7	13.0	12.7	34.0
	1250	1.60	640	SM250.60B-20	8	11.0	16.0	43.0
	1275	1.00	500	SM250.45B-20	8	8.0	11.3	31.5
	1600	1.00	320	SM250.45B-20	10	8.0	14.1	37.0
	1600	1.60	320	SM250.45B-20	10	8.0	20.1	50.0
	1600	2.50	320	SM250.45B-20	10	8.0	31.7	73.0
	1600	2.50	640	SM250.80D-20	9	13.0	36.4	94.0
	2000	1.60	320	SM250.45B-20	10	8.0	20.1	50.0
	2000	1.60	520	SM250.80D-20	11	10.0	25.1	67.0
	2000	2.50	500	SM250.60B-20	9	10.0	32.0	80.0
	2500	2.00	520	SM250.80D-20	9	13.0	40.8	120.0
4:1	5000	1.00	440	SM250.80D-20	11	10.0	36.4	94.0
	6300	1.00	440	SM250.80D-20	11	10.0	53.4	150.0
	6500	0.80	440	SM250.80D-20	11	10.0	40.8	120.0
	6000	1.00	520	SM250.80D-20	8	10.0	46.5	118.0

ZAtop Gearless elevator machine

SM250.100C



Synchronous motor actuated by permanent magnets and according to the provisions of the Lift Directive 2014/33/EU

Drive

- NdFeB magnets
- For fast elevators of up to 4 m/s
- Noise emissions: < 50 dB(A)
- Insulation class F with temperature monitoring

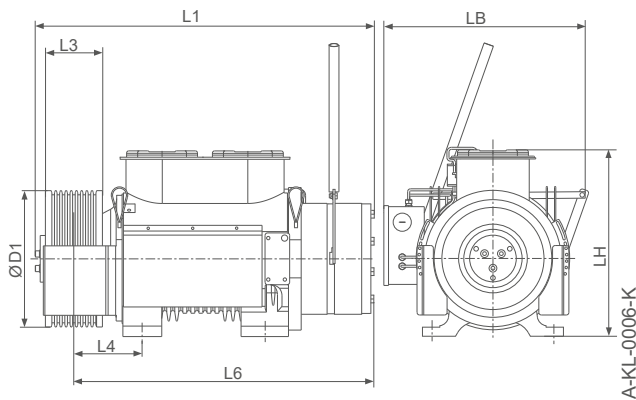
Brake system

- Safety component in accordance with Lift Directive 2014/33/EU
- Separately activated brake circuits
- Deployable as an element of the ascending car overspeed protection means
- Deployable as part of the protection against unintended car movement

Motor cables	Page 108
Machine frames	Page 58
Deflection pulleys	Page 68
ZAlift	Page 73

Technical data

SM250.100C



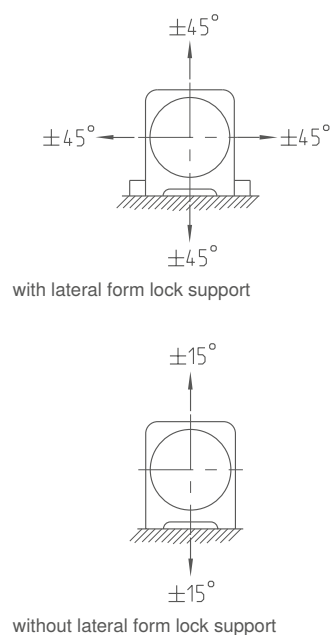
Motor type	Nominal torque Nm	Max. axle load kg	Nominal speed rpm	Rated output power kW	L1 mm	LH mm	L4 mm	L6 mm	LB mm	D1 mm	L3 mm	Weight kg
SM250.100C-20	2100 - 2650	13000	78 - 312	22 - 69	1313	729	264	1164	794	450	282	1250
										500	220	
										520		



Scope of delivery and options

SM250	Standard	Options
Motor	Gearless elevator machine	-
Traction sheave	See D1	-
Brake	Certified brake system	Mechanical hand release
Brake monitoring	Microswitch	Inductive proximity switches
Motor cable	-	10 m, 15 m, 20 m, 25 m halogen free
Absolute encoder	EnDat	BiSS-C / SSI / SinCos / TTL
Rope guard	2 pieces	3. Rope guard
Temperature monitoring	PTC thermistor	PT100-thermistor
Cooling	Forced ventilation	-

Resulting rope force



Example configurations

Other configurations, also outside of the examples listed below, are possible.
Our calculation software ZAlift is available to you for fast and convenient calculation of your elevator machine.

Suspension	Payload kg	Speed m/s	Traction sheave mm	Motor type	Number of ropes	Rope diameter mm	Motor power kW	Rated current A
1:1	1250	3.50	520	SM250.100C-20	10	11.0	33.0	77.0
	1600	1.00	500	SM250.100C-20	10	11.0	22.0	62.0
	2000	1.60	450	SM250.100C-20	10	11.0	22.0	62.0
2:1	2400	2.50	500	SM250.100C-20	8	12.0	42.0	98.0
	3000	2.00	520	SM250.100C-20	10	12.0	41.6	82.0
	3500	1.00	450	SM250.100C-20	11	11.0	30.0	82.0
	3700	1.60	450	SM250.100C-20	10	11.0	37.0	98.0
4:1	4300	1.00	520	SM250.100C-20	7	11.0	50.0	125.0
	6300	1.00	450	SM250.100C-20	10	10.0	50.0	125.0

- Information
- ZAtop
- ZAtopx
- ZAsyn
- ZAdisc
- ZAtop AM
- System components motors
- Control technology
- System components control technology
- Appendix

ZAtop Gearless elevator machine

SM315



Synchronous motor actuated by permanent magnets and according to the provisions of the Lift Directive 2014/33/EU

Drive

- NdFeB magnets
- For fast elevators of up to 4 m/s
- Insulation class F with temperature monitoring

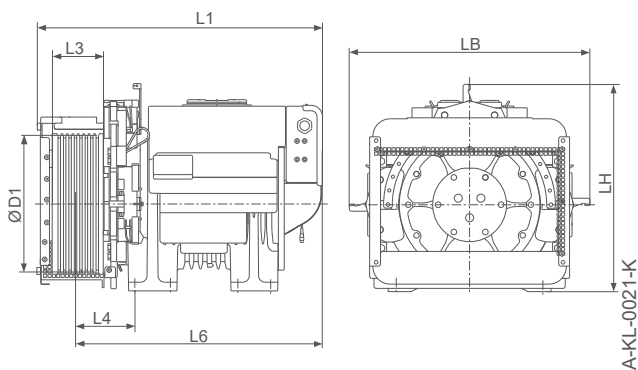
Brake system

- Safety component in accordance with Lift Directive 2014/33/EU
- Separately activated brake circuits
- Deployable as an element of the ascending car overspeed protection means
- Deployable as part of the protection against unintended car movement

Motor cables	Page 108
Forced ventilation	Page 70
Deflection pulleys	Page 68
ZAlift	Page 73

Technical data

SM315.100A



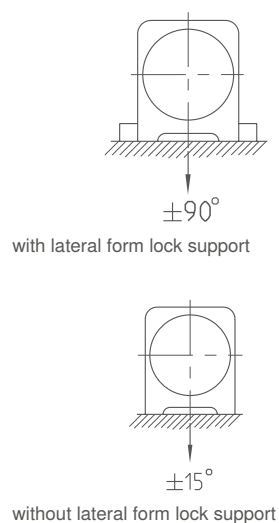
Motor type	Nominal torque Nm	Max. axle load kg	Nominal speed rpm	Rated output power kW	L1 mm	LH mm	L4 mm	L6 mm	LB mm	D1 mm	L3 mm	Weight kg
SM315.100A	5000	13000	40 - 156	20.9 - 81.7	1315	954	260	1129	1108	520		1884
										640		1938



Scope of delivery and options

SM315	Standard	Options
Motor	Gearless elevator machine	-
Traction sheave	See D1	-
Brake	Certified brake system	Mechanical hand release system prepared for bowden cable
Brake monitoring	Inductive proximity switches	-
Motor cable	-	10 m, 15 m, 20 m, 25 m halogen free
Absolute encoder	EnDat	BiSS-C / SSI
Rope guard	2 pieces	-
Protection at traction sheave	Traction sheave cover	-
Temperature monitoring	PT100-thermistor	-
Cooling	Surface cooling	Forced ventilation

Resulting rope force



Example configurations

Other configurations, also outside of the examples listed below, are possible.
Our calculation software ZAlift is available to you for fast and convenient calculation of your elevator machine.

Suspension	Payload kg	Speed m/s	Traction sheave mm	Motor type	Number of ropes	Rope diameter mm	Motor power kW	Rated current A
1:1	2500	1.0	640	SM315.100A-30	7	13	20.9	60
	3000	1.0	520	SM315.100A-30	10	13	20.9	60
2:1	5000	2.5	640	SM315.100A-30	7	16	81.7	200
		2.0	520	SM315.100A-30	9	13	81.7	200
		1.6	640	SM315.100A-30	9	13	54.5	133
4:1	10000	1.0	640	SM315.100A-30	8	13	62.8	150
		1.0	520	SM315.100A-30	10	13	81.7	200

Information

ZAtop

ZAtopx

ZAsyn

ZAdisc

ZAtop AM

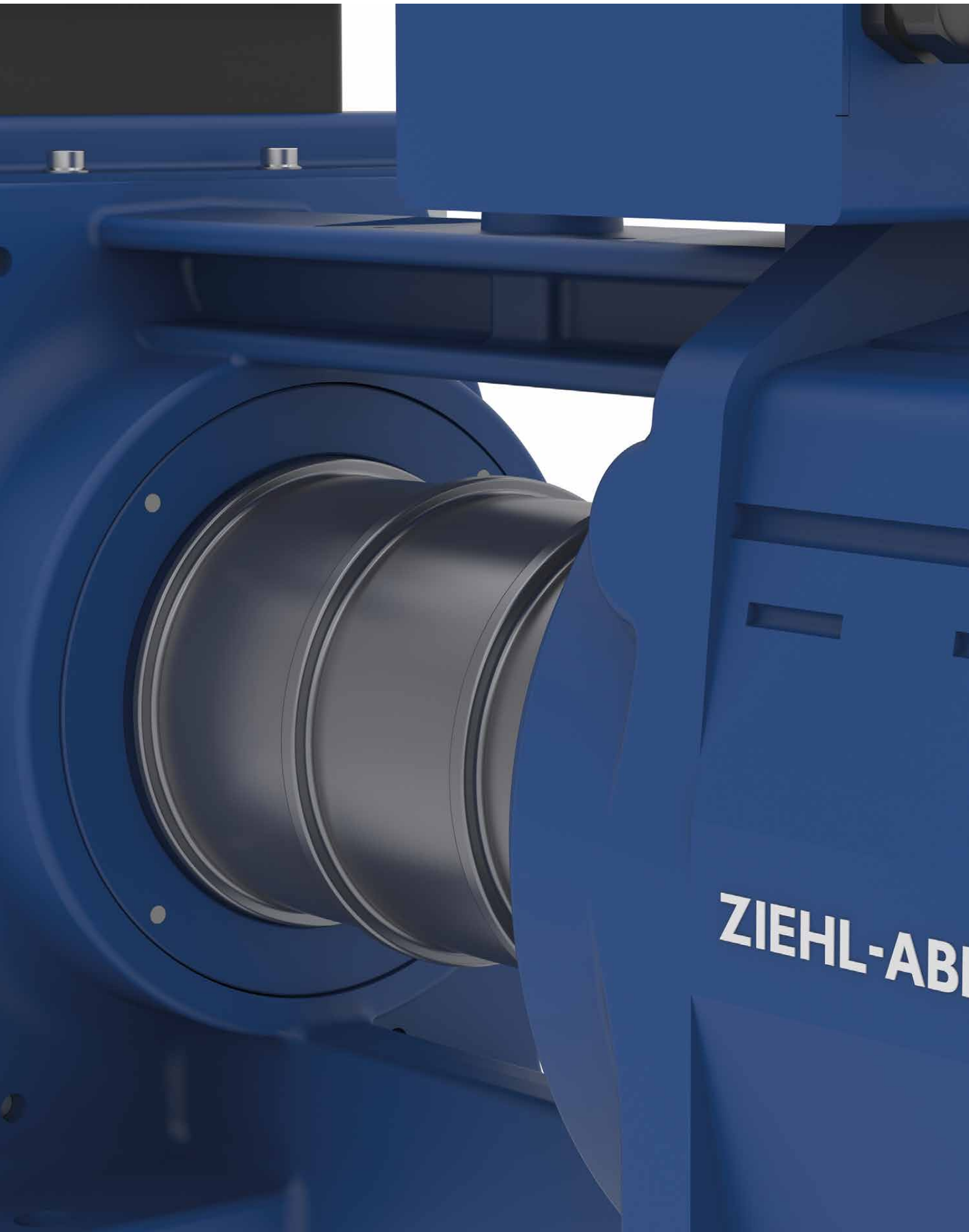
System components motors

Control technology

System components control technology

Appendix







ZAtopx Gearless elevator machine for belts

Product overview

Information	Page 28
ZAtopx BD132	Page 30

Information

ZAtop

ZAtopx

ZAsyn

ZAdisc

ZAtop-AM

System components motors

Control technology

System components control technology

Appendix

ZAtopx Gearless elevator machine for belts

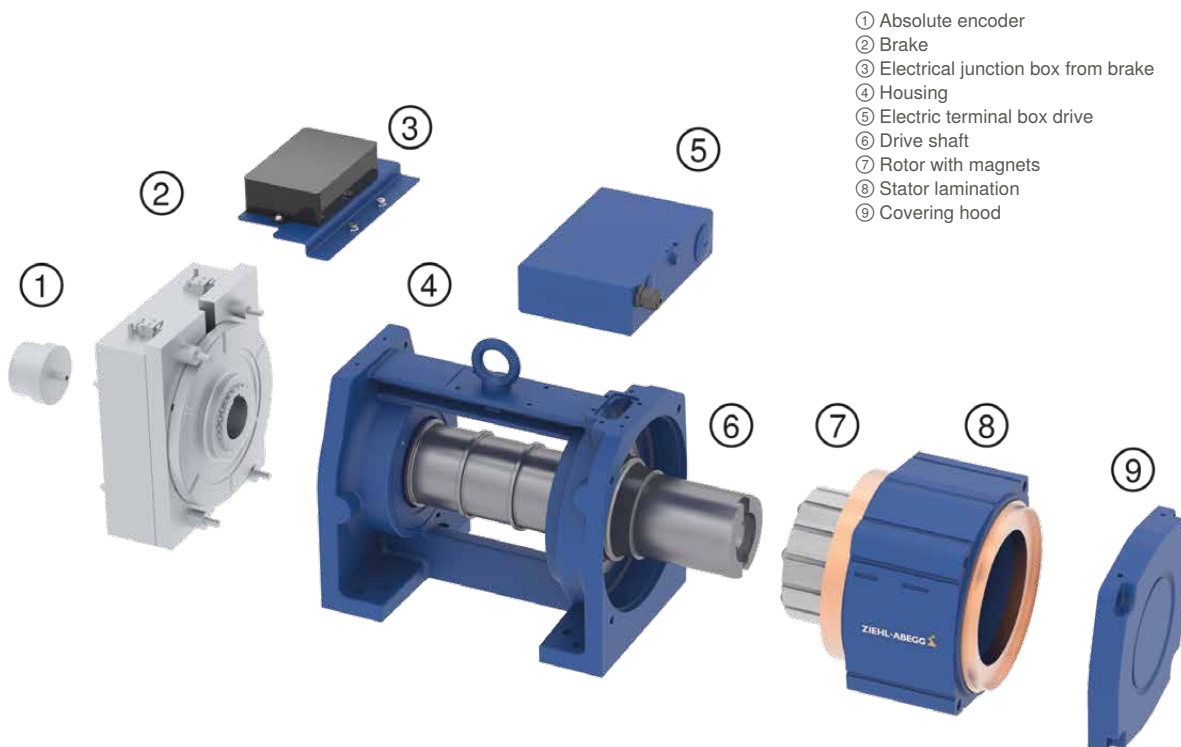
General information

The drive with flat belts as suspension means for elevators with or without machine room

Properties



- Elevator machine with belt as suspension means
- According to the provisions of the Lift Directive 2014/33/EU
- High efficiency
- Noise emissions < 50 dB(A)
- Insulation class F (155 °C) with temperature monitoring via PTC thermistor
- Travel speeds up to 1.6 m/s
- Traction shaft:
 - Diameter 100 mm
 - 2 to 5 belts
- Motor brake:
 - Safety component in accordance with Lift Directive 2014/33/EU
 - Separately actuated brake circuits
 - Deployable as an element of the ascending car overspeed protection means
 - Deployable as part of the protection against unintended car movement
 - Mechanical hand release (optional)
- Can be equipped with conventional encoder systems (e. g. EnDat, SSI)
- Optimum package solution with ZAdyn frequency inverter from ZIEHL-ABEGG

A glimpse inside



Product portfolio ZAtopx

ZIEHL-ABEGG offers you the most comprehensive range of gearless elevator machines with the greatest flexibility and variability.

Suspension	Max. payload kg	Traction shaft diameter mm	Max. axle load kg	Nominal torque Nm	Motor type		
2:1	675	100	2500	105	BD132.21A		Page 30
	1050	100	2500	175	BD132.35A		Page 30

Information

ZAtop

ZAtopx

ZAsyn

ZAdisc

ZAtop AM

System components motors

Control technology

System components control technology

Appendix

ZAtopx Gearless elevator machine for belts



The drive with flat belts as suspension means in accordance to the provisions of the Lift Directive 2014/33/EU

Drive

- NdFeB magnets
- Structural width ≤ 205 mm for narrowest shaft dimensions
- Noise emissions: < 50 dB(A)
- Insulation class F with temperature monitoring

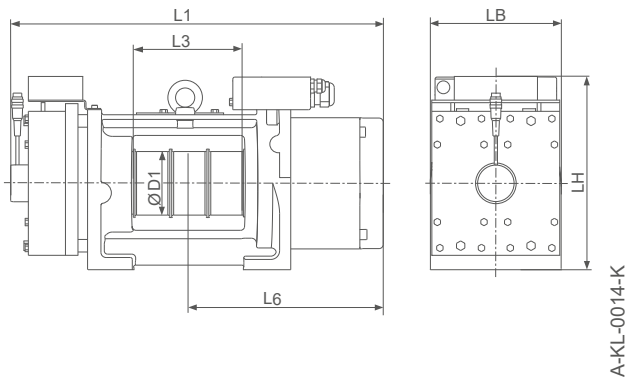
Brake system

- Safety component in accordance with Lift Directive 2014/33/EU
- Separately actuated brake circuits
- Deployable as an element of the ascending car overspeed protection means
- Deployable as part of the protection against unintended car movement

Motor cables	Page 108
Deflection pulleys	Page 68
ZAlift	Page 73

Technical data

BD132

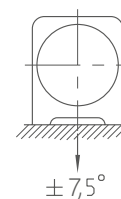


Motor type	Nominal torque Nm	Max. axle load kg	Nominal speed rpm	Rated output power kW	L1 mm	LH mm	L6 mm	LB mm	D1 mm	L3 mm	Weight kg
BD132.21A-14/3	105	2500	384 - 612	4.2 - 6.7	581	305	302	205	100	169	106
BD132.35A-14/3	175			7.0 - 11.2	651		372				123
BD132.35A-14/5					767		430				285

Scope of delivery and options

BD132	Standard	Options
Motor	Gearless elevator machine for belts as suspension means	-
Traction shaft	See D1	-
Brake	Certified brake system	Mechanical hand release
Brake monitoring	Microswitch	Inductive proximity switches
Motor cable	-	10 m, 15 m, 20 m, 25 m halogen free
Absolute encoder	EnDat	BiSS-C / SSI / SinCos / TTL
Belt guard	2 pieces	-
Temperature monitoring	PTC thermistor	PT100-thermistor
Cooling	Surface cooling	Forced ventilation

Resulting suspension force



Example configurations

Other configurations, also outside of the examples listed below, are possible. Our calculation software ZAlift is available to you for fast and convenient calculation of your elevator machine.

Suspension	Payload kg	Speed m/s	Traction shaft mm	Motor type	Number of belts	Belt width mm	Motor power kW	Rated current A
2:1	675	1.00	100	BD132.21A-14/3	3	30.0	4.2	11.0
	675	1.60	100	BD132.21A-14/3	3	30.0	6.7	15.5
	1050	1.00	100	BD132.35A-14/3	3	30.0	7.0	17.0
	1050	1.00	100	BD132.35A-14/5	5	30.0	7.0	17.0
	1050	1.60	100	BD132.35A-14/3	3	30.0	11.2	25.0
	1050	1.60	100	BD132.35A-14/5	5	30.0	11.2	25.0

Information

ZAtop

ZAtopx

ZAsyn

ZAdisc

ZAtop AM

System components motors

Control technology

System components control technology

Appendix





Gearless elevator machine ZAsyn

Product overview

Information	Page 34
ZAsyn SM700	Page 36
ZAsyn SM860	Page 38
ZAsyn2 SM500	Page 40

Information

ZAtop

ZAtopx

ZAsyn

ZAdisc

ZAtop-AM

System components
motors

Control
technology

System components
control
technology

Appendix

ZAsyn Gearless elevator machine

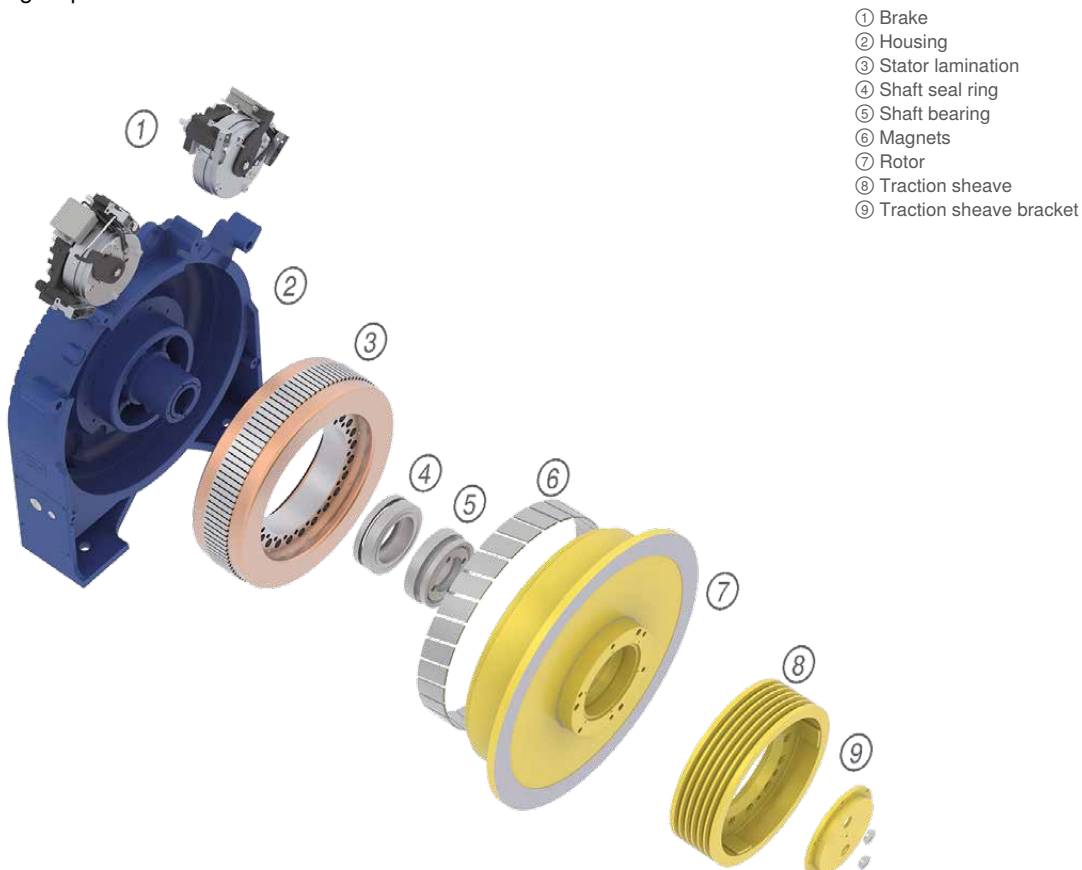
General information

The flat elevator machine for elevators with and without a machine room

Properties


- Gearless synchronous motor actuated by NdFeB permanent magnets
- External rotor motor
- According to the provisions of the Lift Directive 2014/33/EU
- Very flat design for optimum shaft dimensions
- Optimised for easy installation in the shaft
- High efficiency
- Noise emissions < 50 dB(A)
- Insulation class F (155°C) with temperature monitoring via PTC thermistor
- Travel speeds of up to 3.0 m/s
- Rope diameter of 8.0 mm to 16.0 mm
- Traction sheaves:
 - Replaceable
 - Diameter of 400 mm to 680 mm
- Motor brake:
 - Safety component in accordance with Lift Directive 2014/33/EU
 - Separately actuated brake circuits
 - Deployable as an element of the ascending car overspeed protection means
 - Deployable as part of the protection against unintended car movement
 - Mechanical hand release (optional)
- Can be equipped with conventional encoder systems (e.g. EnDat, SSI, SinCos)
- Optimum package solution with ZAdyn frequency inverter from ZIEHL-ABEGG

A glimpse inside



Product portfolio ZAsyn

ZIEHL-ABEGG offers you the most comprehensive range of gearless elevator machines with the greatest flexibility and variability.

Suspension	Max. payload kg	Traction sheave diameter mm	Max. axle load kg	Nominal torque Nm	Motor type		
2:1	1600	400	3000 - 3600	500 - 1150	SM700		Page 36
	2500	480 - 680	8000	1900 - 2200	SM860		Page 38
	1125	400	3000	510 - 640	SM500		Page 40

Information

ZAtop

ZAtopx

ZAsyn

ZAdisc

ZAtop AM

System components motors

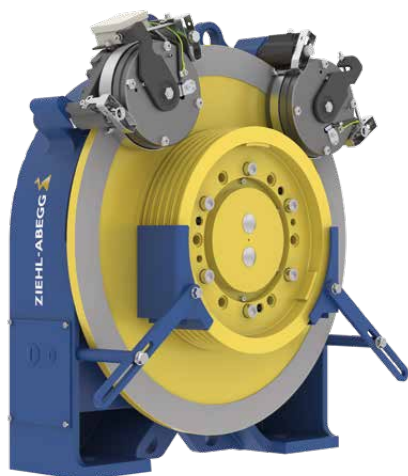
Control technology

System components control technology

Appendix

ZAsyn Gearless elevator machine

SM700



Synchronous motor actuated by permanent magnets and according to the provisions of the Lift Directive 2014/33/EU

Drive

- NdFeB magnets
- Installation depth of ≤ 336 mm makes it perfect for mounting on the wall of the elevator shaft
- Noise emissions: < 50 dB(A)
- Insulation class F with temperature monitoring

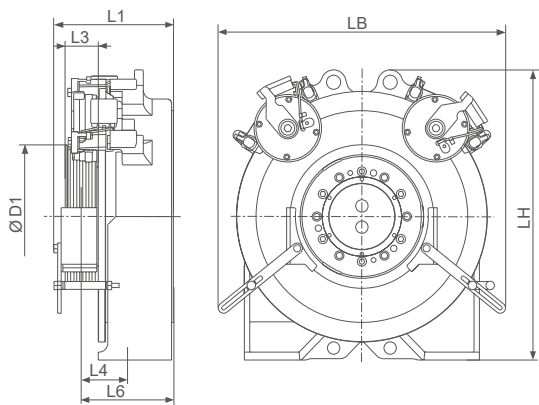
Brake system

- Safety component in accordance with Lift Directive 2014/33/EU
- Separately activated brake circuits
- Deployable as an element of the ascending car overspeed protection means
- Deployable as part of the protection against unintended car movement

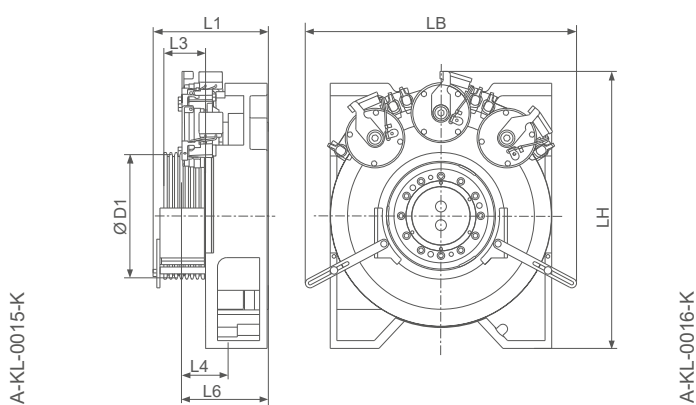
Motor cables	Page 108
Deflection pulleys	Page 68
ZAlift	Page 73

Technical data

SM700.09AL-14AL



SM700.16AL3-A



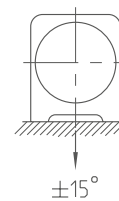
Motor type	Nominal torque Nm	Max. axle load kg	Nominal speed rpm	Rated output power kW	L1 mm	LH mm	L4 mm	L6 mm	LB mm	D1 mm	L3 mm	Weight kg
SM700.09AL-30	500	3000	60 - 96	3.0 - 5.0	306	838	106	276	710	400	60	530
SM700.12AL-30	750		60 - 168	4.5 - 13.0	336		121	306			90	535
SM700.14AL-30	850		60 - 192	5.5 - 17.0	366		106	276			120	540
SM700.16AL3-A-30	1150	3600	96 - 156	11.6 - 18.8	326	888	110	250			90	580
					356		125	265			120	595
					366		130	270			130	605
SM700.16AL-A-30	800 - 1000		60 - 240	6.5 - 20.0	326	850	110	250			90	565
					356		125	265			120	570
					366		130	366			130	575



Scope of delivery and options

SM700	Standard	Options
Motor	Gearless elevator machine	-
Traction sheave	See D1	-
Brake	Certified brake system	Mechanical hand release
Brake monitoring	Microswitch	-
Motor cable	-	10 m, 15 m, 20 m, 25 m halogen free
Absolute encoder	EnDat	SSI / SinCos
Rope guard	2 pieces	-
Temperature monitoring	PTC thermistor	PT100-thermistor
Cooling	Surface cooling	-
Mounting	-	Console for wall mounting

Resulting rope force



Example configurations

Other configurations, also outside of the examples listed below, are possible.
Our calculation software ZAlift is available to you for fast and convenient calculation of your elevator machine.

Suspension	Payload	Speed	Traction sheave	Motor type	Number of ropes	Rope diameter	Motor power	Rated current
	kg						m/s	mm
1:1	375	1.00	400	SM700.09AL-30	3	10	3.0	7.6
	525	0.63	400	SM700.12AL-30	5		4.5	11.5
	630	1.00	400	SM700.12AL-30	5		4.5	11.5
	675	0.63	400	SM700.16AL-A-30	6		6.5	16.5
	800	2.00	400	SM700.16AL3-A-30	7		11.6	29.0
2:1	675	1.00	400	SM700.09AL-30	3	5.0	11.5	
	1000	1.60	400	SM700.16AL-A-30	5	16.0	41.5	
	1000	1.60	400	SM700.14AL-30	5	14.0	33.5	
	1000	1.75	400	SM700.12AL-30	4	13.0	32.5	
	1000	2.00	400	SM700.14AL-30	5	17.0	40.5	
	1250	2.50	400	SM700.16AL-A-30	6	20.0	50.0	
	1275	1.75	400	SM700.14AL-30	5	15.0	36.5	
	1275	2.50	400	SM700.16AL-A-30	5	20.0	50.0	
	1350	1.00	400	SM700.16AL-A-30	6	10.0	25.0	
	1500	1.60	400	SM700.16AL3-A-30	7	18.8	48.0	

ZAsyn Gearless elevator machine

SM860



Synchronous motor actuated by permanent magnets and according to the provisions of the Lift Directive 2014/33/EU

Drive

- NdFeB magnets
- Perfect for mounting in tight spaces
- Noise emissions: < 50 dB(A)
- Insulation class F with temperature monitoring

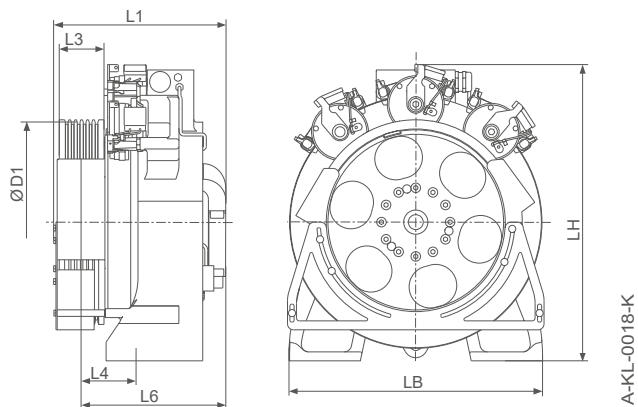
Brake system

- Safety component in accordance with Lift Directive 2014/33/EU
- Separately activated brake circuits
- Deployable as an element of the ascending car overspeed protection means
- Deployable as part of the protection against unintended car movement

Motor cables	Page 108
Deflection pulleys	Page 68
ZAlift	Page 73

Technical data

SM860.28AL



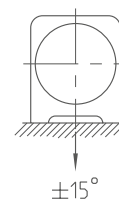
Motor type	Nominal torque Nm	Max. axle load kg	Nominal speed rpm	Rated output power kW	L1 mm	LH mm	L4 mm	L6 mm	LB mm	D1 mm	L3 mm	Weight kg
SM860.28AL-30	2200	8000	40 - 160	9.2 - 37.0	586	1080	153	406	850	480	150	1004
										520		1010
										600		1027
										680		1050



Scope of delivery and options

SM860	Standard	Options
Motor	Gearless elevator machine	-
Traction sheave	See D1	-
Brake	Certified brake system	Mechanical hand release
Brake monitoring	Microswitch	-
Motor cable	-	10 m, 15 m, 20 m, 25 m halogen free
Absolute encoder	EnDat	SSI / SinCos
Rope guard	2 pieces	-
Temperature monitoring	PTC thermistor	PT100-thermistor
Cooling	Forced ventilation	-

Resulting rope force



Example configurations

Other configurations, also outside of the examples listed below, are possible. Our calculation software ZAlift is available to you for fast and convenient calculation of your elevator machine.

Suspension	Payload kg	Speed m/s	Traction sheave mm	Motor type	Number of ropes	Rope diameter mm	Motor power kW	Rated current A
1:1	1250	1.00	520	SM860.28AL-30	7	12	9.2	25.5
	1250	2.00	480	SM860.28AL-30	7		22.0	53.5
2:1	1600	2.50	600	SM860.28AL-30	6	10	37.0	80.5
	2000	1.60	680	SM860.28AL-30	6	13	22.0	53.5
	2000	2.50	680	SM860.28AL-30	6	10	37.0	80.5
	2500	1.00	520	SM860.28AL-30	7	13	17.0	43.0
	2500	1.60	520	SM860.28AL-30	7	12	30.0	68.5
	2500	2.00	480	SM860.28AL-30	7		37.0	80.5

Information

ZAtop

ZAtopx

ZAsyn

ZAdisc

ZAtop AM

System components motors

Control technology

System components control technology

Appendix



ZAsyn² Gearless elevator machine

SM500



Synchronous motor actuated by permanent magnets and according to the provisions of the Lift Directive 2014/33/EU

Drive

- NdFeB magnets
- Perfect for mounting in tight spaces
- Noise emissions: < 50 dB(A)
- Insulation class F with temperature monitoring

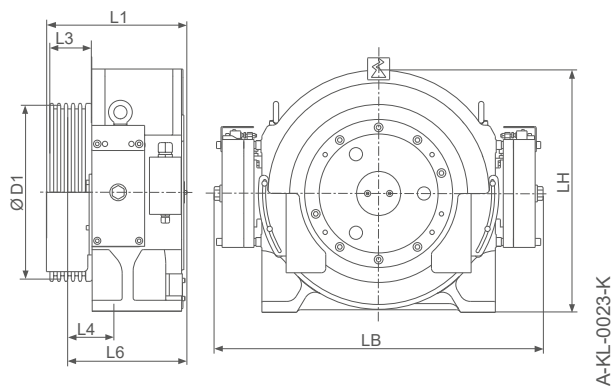
Brake system

- Safety component according to the Lift Directive 2014/33/EU
- Separately activated brake circuits
- Deployable as an element of the ascending car overspeed protection means
- Deployable as part of the protection against unintended car movement

Motor cables	Page 108
Deflection pulleys	Page 68
ZAlift	Page 73

Technical data

SM500



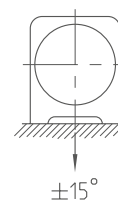
Motor type	Nominal torque Nm	Max. axle load kg	Nominal speed rpm	Rated output power kW	L1 mm	LH mm	L4 mm	L6 mm	LB mm	D1 mm	L3 mm	Weight kg
SM500.12AL-B	510	3000	48 - 167	2.6 - 8.9	318	550	84	265	747	400	90	315
SM500.16AL-B	640			3.2 - 11.0								



Scope of delivery and options

SM500	Standard	Options
Motor	Gearless elevator machine	-
Traction sheave	See D1	-
Brake	Certified brake system with mechanical hand release	-
Brake monitoring	Microswitch	-
Motor cable	-	10 m
Absolute encoder	EnDat	-
Rope guard	2 pieces	-
Temperature monitoring	Thermal switch	-
Cooling	Surface cooling	-

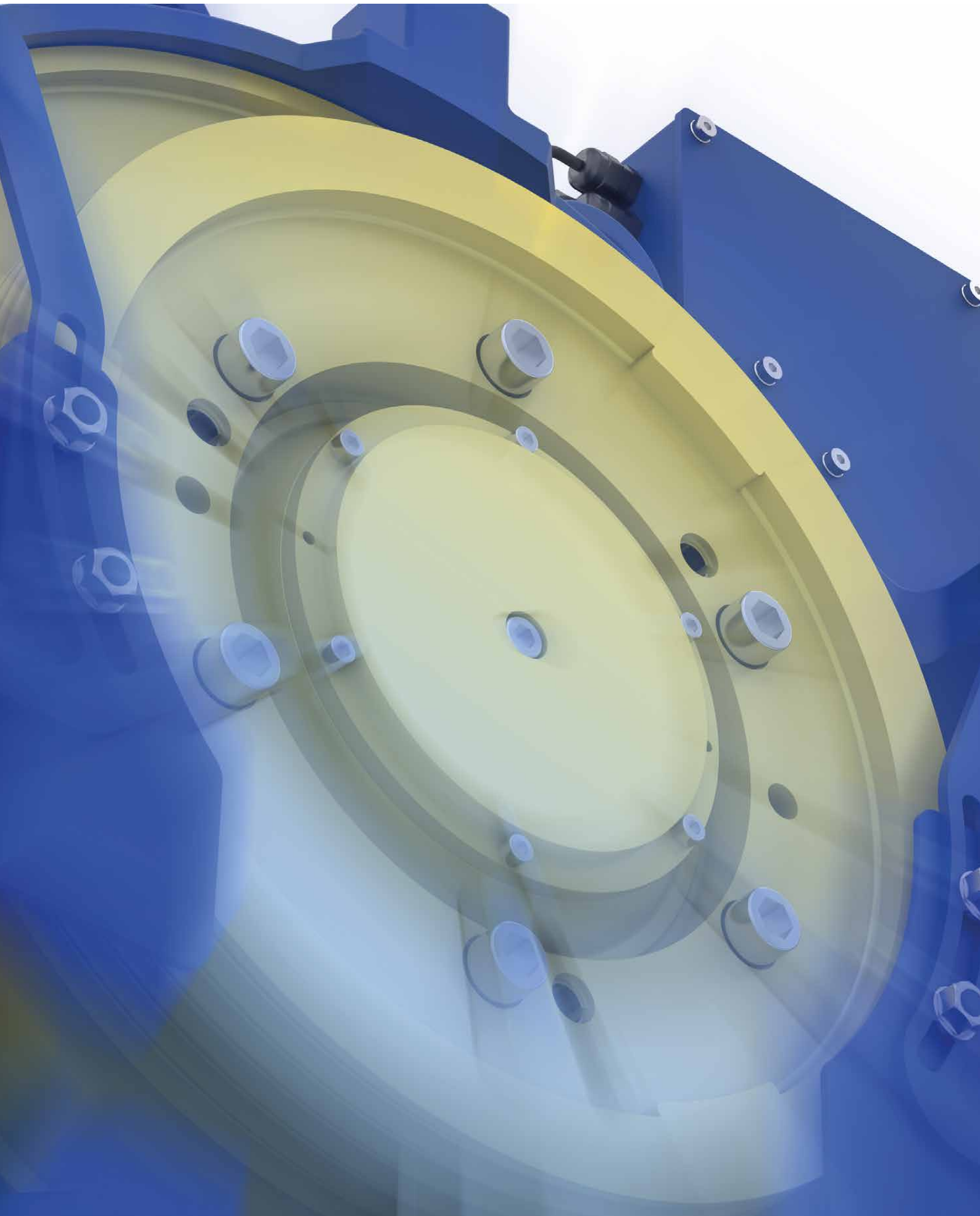
Resulting rope force



Example configurations

Other configurations, also outside of the examples listed below, are possible. Our calculation software ZAlift is available to you for fast and convenient calculation of your elevator machine.

Suspension	Payload	Speed	Traction sheave	Motor type	Number of ropes	Rope diameter	Motor power	Rated current
	kg							
1:1	450	1.0	400	SM500.12AL-B	3	10.0	2.6	7.0
	600	1.6		SM500.16AL-B	5	8.0	6.4	15.0
2:1	800	1.6		SM500.12AL-B	4	8.0	8.9	20.5
	1125	1.6		SM500.16AL-B	5		11.0	26.0



Gearless elevator machine ZAdisc

Product overview

Information Page 44

ZAdisc SL506 / 510 Page 46

Information

ZAtop

ZAtopx

ZAsyn

ZAdisc

ZAtop AM

System components motors

Control technology

System components control technology

Appendix



ZAdisc Gearless elevator machine

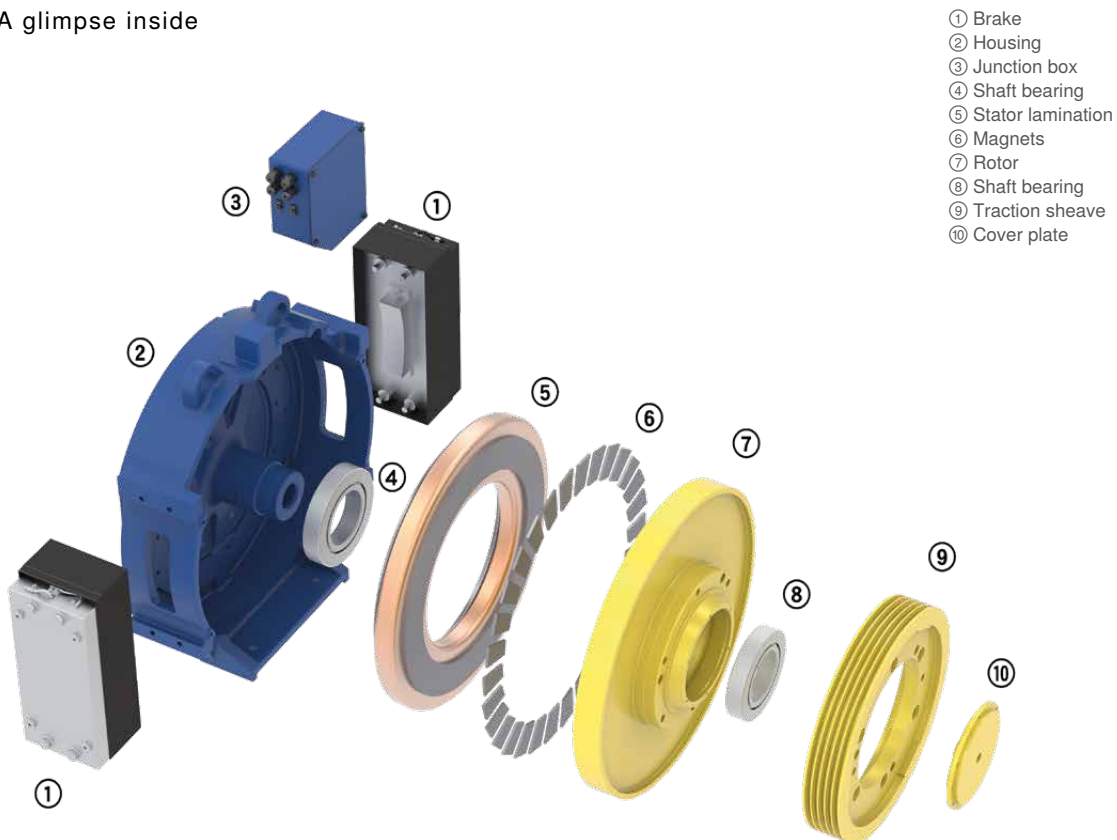
General information

The flat elevator machine for elevators with and without a machine room

Properties

- Gearless synchronous motor actuated by NdFeB permanent magnets
- Disc rotor motor
- According to the provisions of the Lift Directive 2014/33/EU
- Very flat design for optimum shaft dimensions
- Optimised for fixing at the guide rail
- High efficiency
- Noise emissions <50 dB(A)
- Insulation class F (155°C) with temperature monitoring via PTC thermistor
- Travel speeds of up to 1.6 m/s
- Rope diameter of 8.0 mm to 12.0 mm
- Traction sheaves:
 - Replaceable
 - Diameter of 400 mm and 480 mm
- Motor brake:
 - Safety component in accordance with Lift Directive 2014/33/EU
 - Separately actuated brake circuits
 - Deployable as an element of the ascending car overspeed protection means
 - Deployable as part of the protection against unintended car movement
- Can be equipped with conventional encoder systems (e.g. EnDat, SSI, SinCos)
- Optimum package solution with ZAdyn frequency inverter from ZIEHL-ABEGG

A glimpse inside



Product portfolio ZAdisc

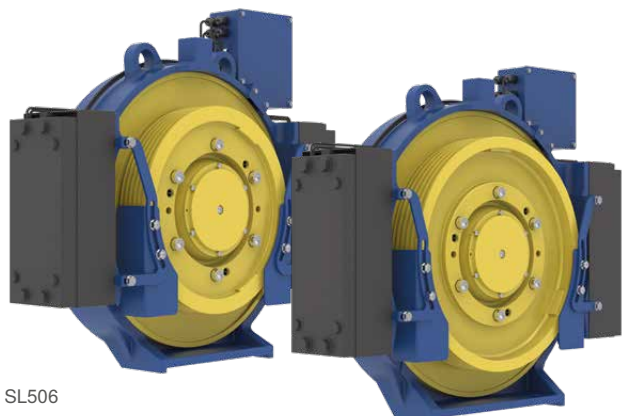
With the gearless elevator machines ZAdisc ZIEHL-ABEGG offers you the greatest flexibility and variability.

Suspension	Max. payload kg	Traction sheave diameter mm	Max. axle load kg	Nominal torque Nm	Motor type		
2:1	675	400	1800	500	SL506		Page 46
	1125	480	2400	870	SL510		Page 46

- Information
- ZAtop
- ZAtopx
- ZAsyn
- ZAdisc**
- ZAtop AM
- System components motors
- Control technology
- System components control technology
- Appendix

ZAdisc Gearless elevator machine

SL506 / 510



SL506

SL510

Synchronous motor actuated by permanent magnets and according to the provisions of the Lift Directive 2014/33/EU

Drive

- NdFeB magnets
- Installation depth ≤ 200 mm
- Optimised for attaching to the guide rail
- Noise emissions: < 50 dB(A)
- Insulation class F with temperature monitoring

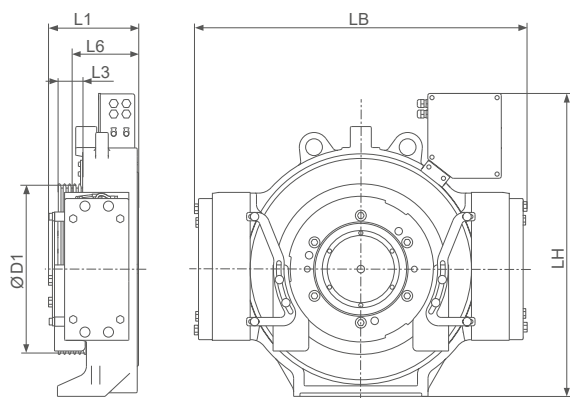
Brake system

- Safety component in accordance with Lift Directive 2014/33/EU
- Separately activated brake circuits
- Deployable as an element of the ascending car overspeed protection means
- Deployable as part of the protection against unintended car movement

Motor cables	Page 108
Deflection pulleys	Page 68
ZAlift	Page 73

Technical data

SL506 / SL510



A-KL-0019-K

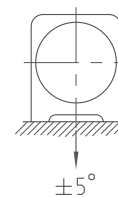
Motor type	Nominal torque Nm	Max. axle load kg	Nominal speed rpm	Rated output power kW	L1 mm	LH mm	L6 mm	LB mm	D1 mm	L3 mm	Weight kg
SL506.12-30	500	1800	96 - 156	5.0 - 8.2	217	721	158	793	400	66	310
SL510.17-28	870	2400	81 - 198	7.4 - 18.0	222	746	159	854	480	74	380



Scope of delivery and options

SL506 / SL510	Standard	Options
Motor	Gearless elevator machine	-
Traction sheave	See D1	-
Brake	Certified brake system	-
Brake monitoring	Microswitch	Inductive proximity switches
Motor cable	-	10 m, 15 m, 20 m, 25 m halogen free
Absolute encoder	EnDat	SSI / SinCos / TTL
Rope guard	2 pieces	3. Rope guard
Temperature monitoring	PTC thermistor	PT100-thermistor
Cooling	Surface cooling	-
Mounting	-	Mounting bracket and bracket for rail mounting

Resulting rope force



Example configurations

Other configurations, also outside of the examples listed below, are possible. Our calculation software ZAlift is available to you for fast and convenient calculation of your elevator machine.

Suspension	Payload	Speed	Traction sheave	Motor type	Number of ropes	Rope diameter	Motor power	Rated current
	kg						m/s	mm
2:1	480	1.00	400	SL506.12-30	3	10	5.0	19.4
	480	1.60	400	SL506.12-30	3		8.2	30.0
	630	1.00	400	SL506.12-30	3		5.0	19.4
	675	1.00	400	SL506.12-30	3		5.0	19.4
	675	1.60	400	SL506.12-30	3		8.2	30.0
	1050	1.00	480	SL510.17-28	4		7.4	28.0
	1050	1.60	480	SL510.17-28	4		11.8	42.0
	1050	2.00	480	SL510.17-28	4		14.5	50.0
	1050	2.50	480	SL510.17-28	4		18.0	61.0
	1125	1.00	480	SL510.17-28	4		7.4	28.0

- Information
- ZAtop
- ZAtopx
- ZAsyn
- ZAdisc
- ZAtop AM
- System components motors
- Control technology
- System components control technology
- Appendix





Gearless elevator machine ZAtop AM

Product overview

Information	Page 50
ZAtop AM200	Page 52
ZAtop AM210	Page 54

Information

ZAtop

ZAtopx

ZAsyn

ZAdisc

ZAtop AM

System components motors

Control technology

System components control technology

Appendix



ZAtop AM Gearless elevator machine

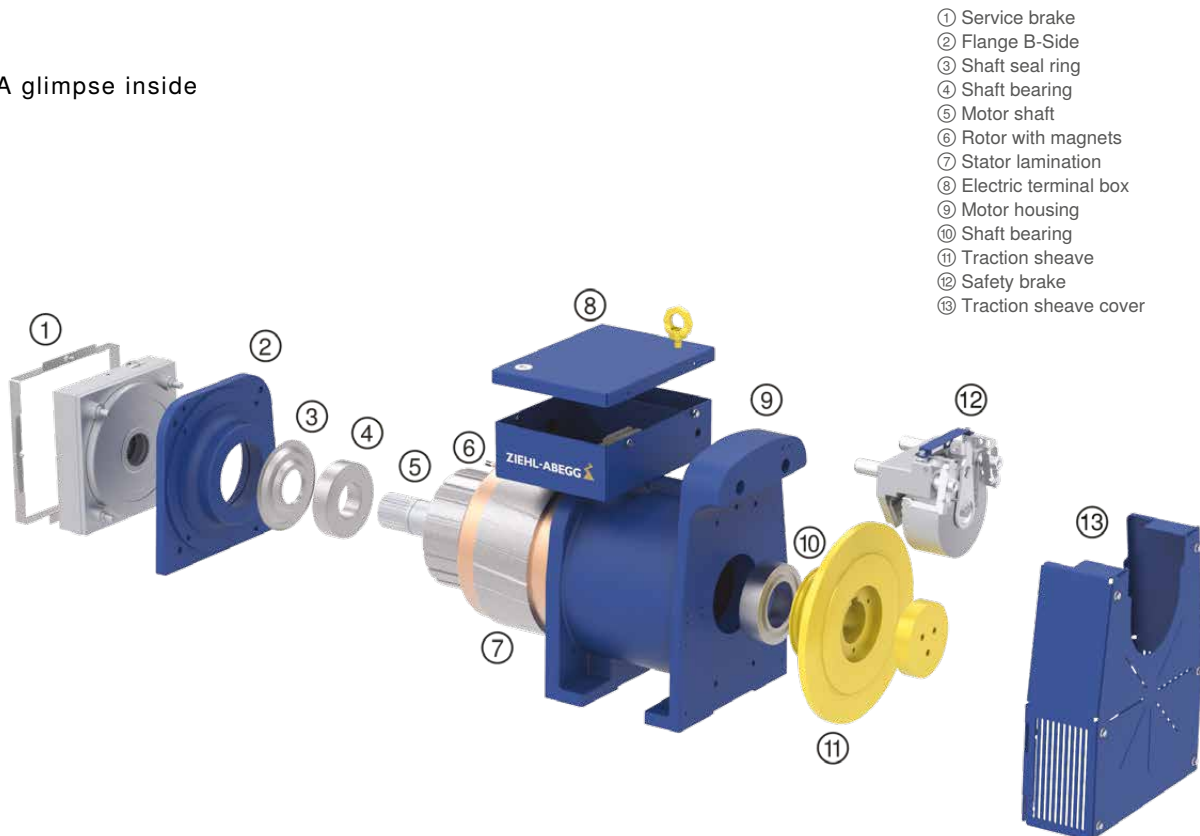
General information

The TOP solution for elevators with and without machine rooms

Properties



- Gearless synchronous motor actuated by NdFeB permanent Magnets
- Internal rotor motor
- UL-Certified for the US- and Canadian market
- Elevator motor designed in accordance with ASME A17.1
- Different sizes for optimal shaft and shaft head dimensions
- High level of efficiency
- Noise emissions ≤ 55 dB(A)
- Insulation class F (155 °C / 311 °F) with temperature monitoring via PTC thermistor
- Travelling speeds up to 1.75 m/s (350 fpm) at 2:1 suspension
- For PU-coated ropes with a diameter of 8.1 mm (0.319 inch)
- Traction sheaves:
 - Diameters of 160 mm (6.3 inch) and 248 mm (9.76 inch)
 - Circular grooves
- Motor Brake:
 - Separate service brake and safety brake
 - Deployable as an element of the ascending car overspeed protection means
 - Deployable as part of the protection against unintended car movement
 - Mechanical hand release system prepared for bowden cable (optional)
- Can be equipped with conventional EnDat encoder system


A glimpse inside



Product portfolio ZAtop AM

ZIEHL-ABEGG offers you the most comprehensive range of gearless elevator machines with the greatest flexibility and variability.

Imperial units							
Suspension	Max. payload	Traction sheave diameter	Max. axle load	Nominal torque	Motor type		
	lb	inch	lb	ft lb			
2:1	3000	6.3 & 9.76	6000	177 - 325	AM200		Page 52
	5000	6.3 & 9.76	9890	325 - 410	AM210		Page 54

SI-units							
Suspension	Max. payload	Traction sheave diameter	Max. axle load	Nominal torque	Motor type		
	kg	mm	kg	Nm			
2:1	1360	160 & 248	2750	240 - 440	AM200		Page 52
	2270	160 & 248	4485	440 - 555	AM210		Page 54

Information

ZAtop

ZAtopx

ZAsyn

ZAdisc

ZAtop AM

System components
motors

Control
technology

System components
control
technology

Appendix

ZAtop AM Gearless elevator machine

AM200



Synchronous motor actuated by permanent magnets and according to the provisions of the ASME A17.1

Drive

- NdFeB magnets
- Structural width ≤ 385 (15.16 inch) mm for the narrowest shaft dimensions
- Noise emissions: ≤ 55 dB(A)
- Insulation class F with temperature monitoring

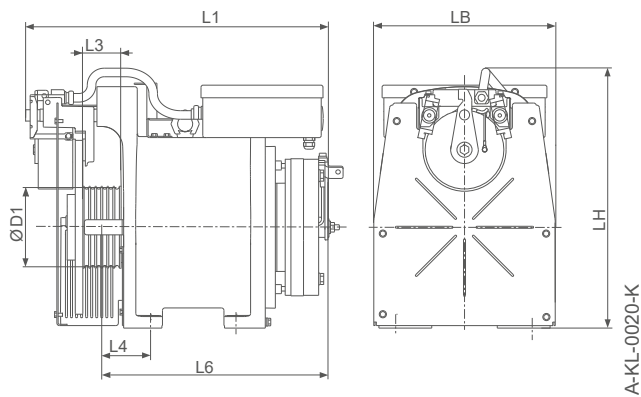
Brake system

- Separate operation brake and emergency brake circuits
- Deployable as an element of the ascending car overspeed protection means
- Deployable as part of the protection against unintended car movement

Deflection pulleys	Page 68
ZAlift	Page 73

Technical data

AM200



Imperial units

Motor type	Nominal torque ft·lb	Max. axle load lb	Nominal speed rpm	Rated output power kW	L1 inch	LH inch	L4 inch	L6 inch	LB inch	D1 inch	L3 inch	Weight lb
AM200.15A	177	6050	186 - 426	4.7 - 10.7	23.62	20.31	3.82	17.59	14.25	6.30	3.03	500
AM200.23A	243			6.4 - 14.7								540
AM200.30A	325		120 - 276	5.5 - 12.7	23.66	20.79	17.63	15.16	9.76	3.11	635	

SI-units

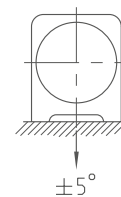
Motor type	Nominal torque Nm	Max. axle load kg	Nominal speed rpm	Rated output power kW	L1 mm	LH mm	L4 mm	L6 mm	LB mm	D1 mm	L3 mm	Weight kg
AM200.15A	240	2750	186 - 426	4.7 - 10.7	600	516	97	447	362	160	77	227
AM200.23A	330			6.4 - 14.7								245
AM200.30A	440		120 - 276	5.5 - 12.7	601	528	448	385	248	79	288	



Scope of delivery and options

AM200	Standard	Options
Motor	Gearless elevator machine	-
Traction sheave	See D1	-
Brake	Certified brake system	Mechanical hand release system prepared for bowden cable
Brake monitoring	Microswitch	-
Absolute encoder	EnDat	-
Rope guard	2 pieces	-
Protection at traction sheave	Traction sheave cover	-
Temperature monitoring	PTC thermistor	PT100-thermistor
Cooling	Surface cooling	-

Resulting rope force



Example configurations

Imperial units

Suspension	Payload lb	Speed fpm	Traction sheave inch	Motor type	Number of ropes	Rope diameter inch	Motor power kW
2:1	2100	150	6.30	AM200.15A-20	5	0.319	4.7
		150	9.76	AM200.30A-20			5.5
		200	6.30	AM200.15A-20			6.2
		200	9.76	AM200.30A-20			7.5
		350	6.30	AM200.15A-20			10.7
		350	9.76	AM200.30A-20			12.7
	2500	150	6.30	AM200.23A-20	6		6.4
		200	6.30	AM200.23A-20			8.5
		350	6.30	AM200.23A-20			14.7

SI-units

Suspension	Payload kg	Speed m/s	Traction sheave mm	Motor type	Number of ropes	Rope diameter mm	Motor power kW
2:1	950	0.75	160	AM200.15A-20	5	8.1	4.7
		0.75	248	AM200.30A-20			5.5
		1.00	160	AM200.15A-20			6.2
		1.00	248	AM200.30A-20			7.5
		1.75	160	AM200.15A-20			10.7
		1.75	248	AM200.30A-20			12.7
	1130	0.75	160	AM200.23A-20	6		6.4
		1.00	160	AM200.23A-20			8.5
		1.75	160	AM200.23A-20			14.7



ZAtop AM Gearless elevator machine

AM210



Synchronous motor actuated by permanent magnets and according to the provisions of the ASME A17.1

Drive

- NdFeB magnets
- Structural width ≤ 395 (15.55 inch) mm for the narrowest shaft dimensions
- Noise emissions: ≤ 55 dB(A)
- Insulation class F with temperature monitoring

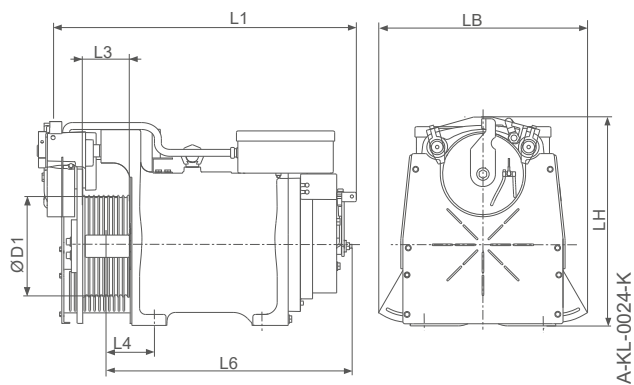
Brake system

- Separate operation brake and emergency brake circuits
- Deployable as an element of the ascending car overspeed protection means
- Deployable as part of the protection against unintended car movement

Deflection pulleys	Page 68
ZAlift	Page 73

Technical data

AM210



Imperial units

Motor type	Nominal torque ft-lb	Max. axle load lb	Nominal speed rpm	Rated output power kW	L1 inch	LH inch	L4 inch	L6 inch	LB inch	D1 inch	L3 inch	Weight lb
AM210.30A	325	9890	186 - 426	8.6 - 19.6	29.72	19.76	4.65	23.07	15.55	6.30	4.49	734
AM210.40A	410		120 - 426	7.0 - 24.8						6.30		778
										9.76		829

SI-units

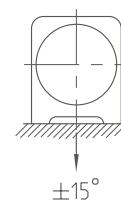
Motor type	Nominal torque Nm	Max. axle load kg	Nominal speed rpm	Rated output power kW	L1 mm	LH mm	L4 mm	L6 mm	LB mm	D1 mm	L3 mm	Weight kg
AM210.30A	440	4485	186 - 426	8.6 - 19.6	755	502	118	586	395	160	114	333
AM210.40A	555		120 - 426	7.0 - 24.8						160		353
										248		376



Scope of delivery and options

AM210	Standard	Options
Motor	Gearless elevator machine	-
Traction sheave	See D1	-
Brake	Certified brake system	Mechanical hand release system prepared for bowden cable
Brake monitoring	Microswitch	-
Absolute encoder	EnDat	-
Rope guard	2 pieces	-
Protection at traction sheave	Traction sheave cover	-
Temperature monitoring	PTC thermistor	PT100-thermistor
Cooling	Surface cooling	-

Resulting rope force



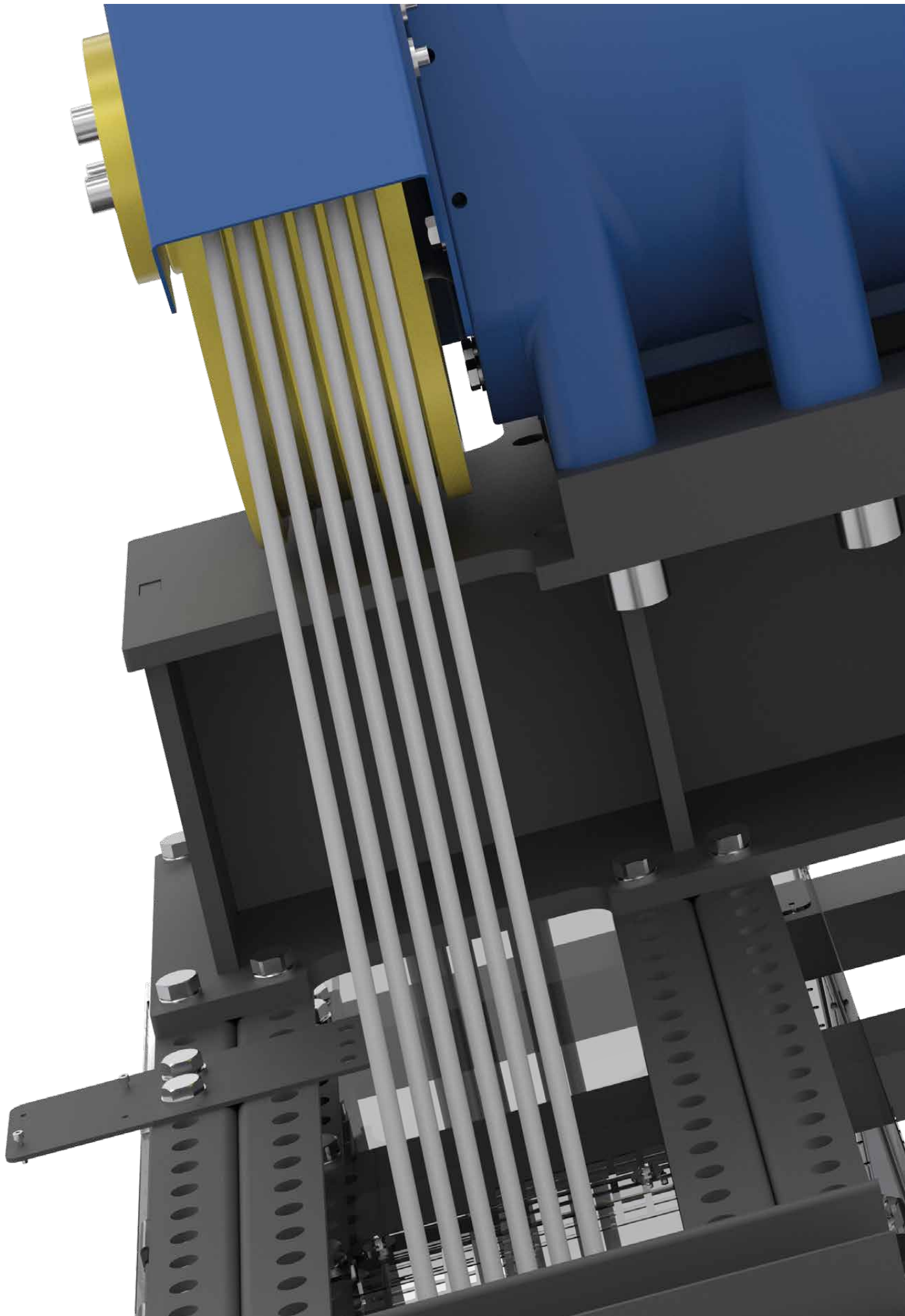
Example configurations

Imperial units

Suspension	Payload	Speed	Traction sheave	Motor type	Number of ropes	Rope diameter	Motor power
	lb	fpm	inch			inch	kW
2:1	3000	150	9.76	AM210.40A-20	6	0.319	7.0
		200					9.4
		350					16.0
	3500	150	6.30	AM210.30A-20	7		8.6
		200					11.3
		350					19.6
	4500	150		AM210.40A-20	8		10.8
		200					14.3
		350					24.8

SI-units

Suspension	Payload	Speed	Traction sheave	Motor type	Number of ropes	Rope diameter	Motor power
	kg	m/s	mm			mm	kW
2:1	1360	0.75	248	AM210.40A-20	6	8.1	7.0
		1.00					9.4
		1.75					16.0
	1585	0.75	160	AM210.30A-20	7		8.6
		1.00					11.3
		1.75					19.6
	2040	0.75		AM210.40A-20	8		10.8
		1.00					14.3
		1.75					24.8



System components

Product overview

ZAframe MH4000	Page 58
ZAframe MH6000	Page 59
ZAframe MF2800 / MF4000 / MF6000	Page 60
ZAframe MS4000 / MS8000	Page 62
ZAframe MD13000	Page 64
ZAframe MK2800	Page 65
ZAframe MN3300	Page 66
Adapter plates	Page 67
Deflection pulleys	Page 68
Forced ventilation ZAtop and ZAtopx	Page 70
Oil heating motors	Page 71
Tool set	Page 72
ZAlift	Page 73

Information

ZAtop

ZAtopx

ZAsyn

ZAdisc

ZAtop AM

System components motors

Control technology

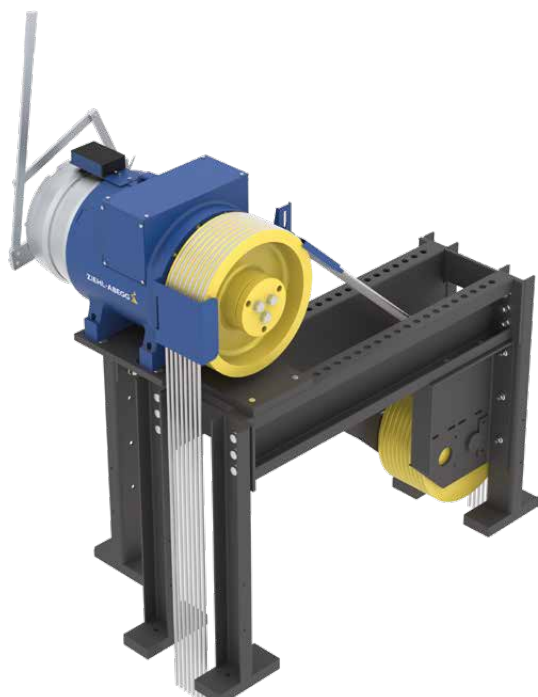
System components control technology

Appendix



ZAframe MH4000

Elevated frame for ZAtop SM200.15D - SM200.45E



Description

- Elevated frame with one deflection pulley
- Bolted sheet metal construction
- Static load: up to 4000 kg
- Typical payload: 630 kg to 1600 kg
- Rope distance (ASL): 400 mm to 1330 mm, adjustable in 40 mm steps
- Traction sheave: 160 mm to 500 mm
- Deflection pulley: 160 mm to 520 mm
- Version as shown or machine rotated by 180°
- Can be delivered assembled and disassembled

Scope of delivery

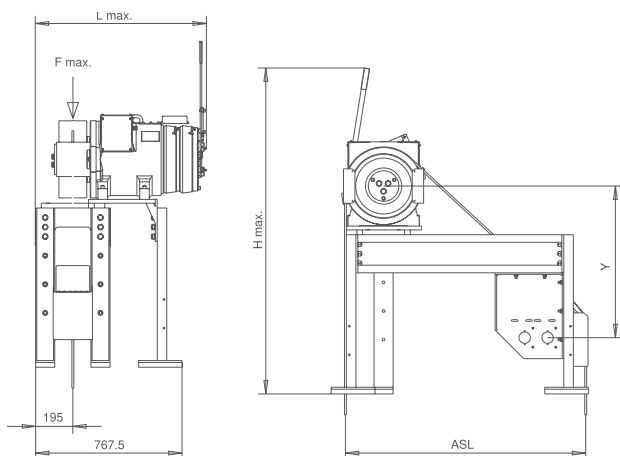
- Frame with fastening material
- Deflection pulley with fastening material
- Vibration insulation

Options

- Rope guard
- Deviating traction sheaves and deflection pulleys

MH4000				
Motor type	Traction sheave mm	Deflection pulley mm	ASL mm	Max. static load kg
SM200.15D/23D/30D	240	240	420 - 1140	4000
SM200.15D/23D/30D	320	320	500 - 1220	
SM200.15D/23D/30D	400	400	500 - 1260	
SM200.40E/45E	160	160	420 - 1060	
SM200.40E/45E	240	240	420 - 1140	
SM200.40E/45E	320	320	500 - 1220	
SM200.40E/45E	400	400	500 - 1260	
SM200.40E/45E	500	520	500 - 1280	

Dimensions mm



Motor type	Y mm	H max. mm	L max. mm
SM200.15D/23D/30D	680	1323	763
SM200.40E/45E	797	2045	879

ZAframe MH6000B

Elevated frame for ZAtop SM210.70B - SM250.80D



Description

- Elevated frame with one deflection pulley
- Screwed sheet metal design
- Static load: up to 6000 kg
- Typical payload: 630 kg to 3000 kg
- Rope distance (ASL): 545 mm to 1080 mm
- Traction sheave: 400 mm to 640 mm
- Deflection pulley: 400 mm to 520 mm
- Version as illustrated or motor turned through 180°

Scope of delivery

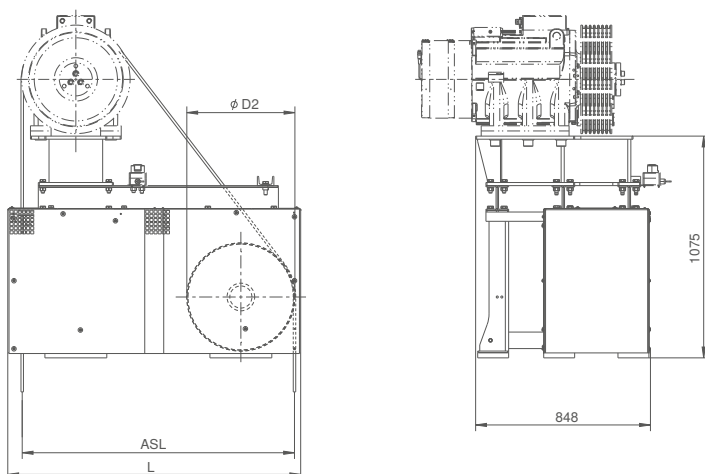
- Frame with fastening material
- Deflection pulley with fastening material
- Insulating elements

Options

- Enclosure
- Emergency stop switch retrofit kit

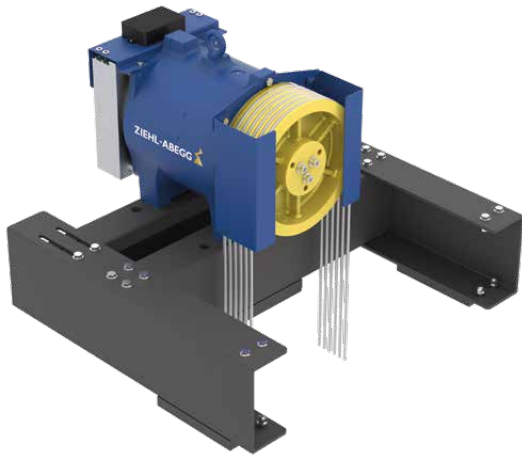
MH6000B					
Motor type	Traction sheave mm	Deflection pulley D2 mm	L mm	ASL mm	Max. static load kg
SM210.70B	320	320	1260	540 - 1120	6000
	400	320	1300	540 - 1160	
	400	400	1340	620 - 1200	
	520	520	1420	740 - 1320	
SM250.45B / SM250.60B	320	320	1260	620 - 1120	
	400	320	1300	620 - 1160	
	400	400	1340	620 - 1200	
	500	520	1420	730 - 1310	
	520	520	1420	740 - 1320	
	600	520	1420	780 - 1320	
	640	520	1420	800 - 1340	
SM250.80D	440	440	1340	660 - 1240	
	520	520	1420	740 - 1320	
	640	520	1380	800 - 1260	

Dimensions mm



ZAframe MF2800 + MF4000

Flat frame for ZAtop SM200.15D - SM200.45E



Description

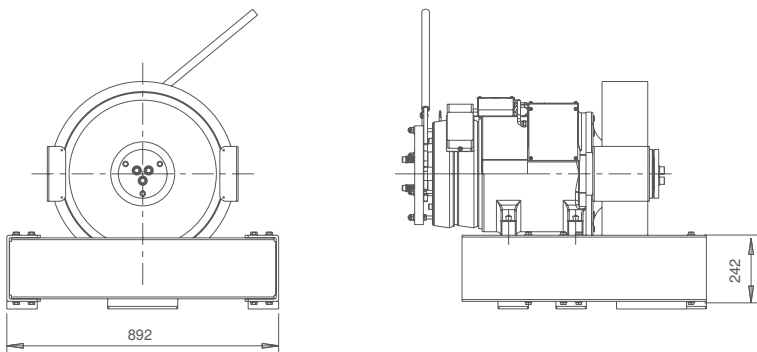
- Flat machine frame
- Bolted sheet metal construction
- Static load: up to 4000 kg
- Typical payload: 630 kg to 1600 kg
- Can be delivered assembled and disassembled

Scope of delivery

- Frame with fastening material
- Vibration insulation

MF2800 / MF4000		
Motor type	Traction sheave mm	Max. static load kg
SM200.15D/23D/30D	160 - 450	2800
SM200.40E/45E	160 - 500	4000

Dimensions mm



ZAframe MF6000

Flat frame for ZAtop SM250.45B - SM250.80D



Description

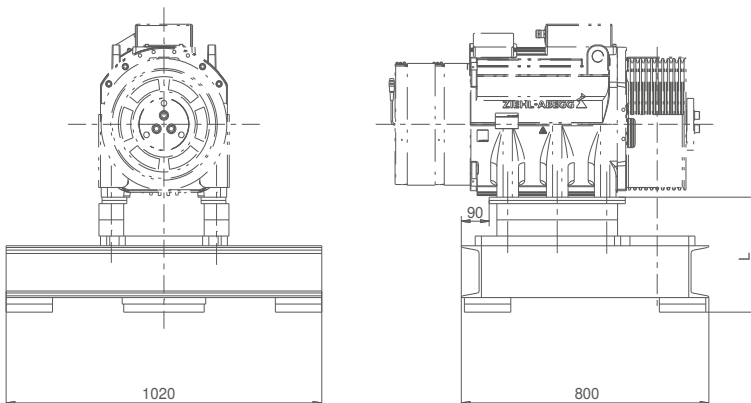
- Flat machine frame
- Welded sheet metal construction
- Static load: up to 6000 kg
- Typical payload: 1000 kg to 3600 kg
- Can be delivered assembled and disassembled

Scope of delivery

- Frame with fastening material
- Vibration insulation

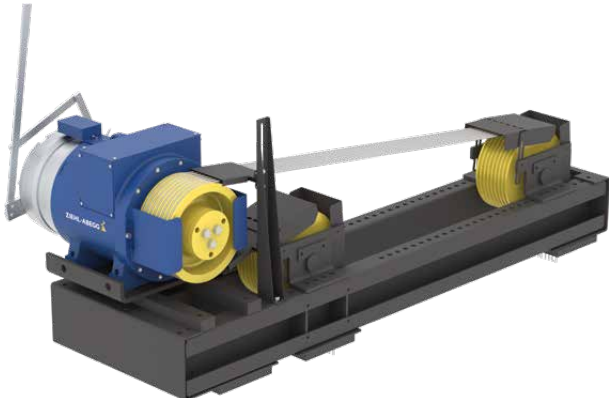
MF6000			
Motor type	Traction sheave mm	L mm	Max. static load kg
SM250.45B	320	245	6000
	400		
	500	295	
	520		
	600	355	
SM250.60B	320	245	
	400		
	500	295	
	520		
	600	355	
SM250.80D	440	235	
	520	285	
	640	335	

Dimensions mm



ZAframe MS4000

Frame S-wrap for ZAtop SM200.15D - SM200.45E



Description

- Frame with two deflection pulleys
- Bolted sheet metal construction
- Static load: up to 4000 kg
- Typical payload: 630 kg to 1600 kg
- Rope distance (ASL): 360 mm to 1200 mm, adjustable in 40 mm steps:
- Traction sheave: 200 mm to 400 mm
- Deflection pulley: 240 mm to 400 mm
- Version as shown or machine rotated by 180°
- Can be delivered assembled and disassembled

Scope of delivery

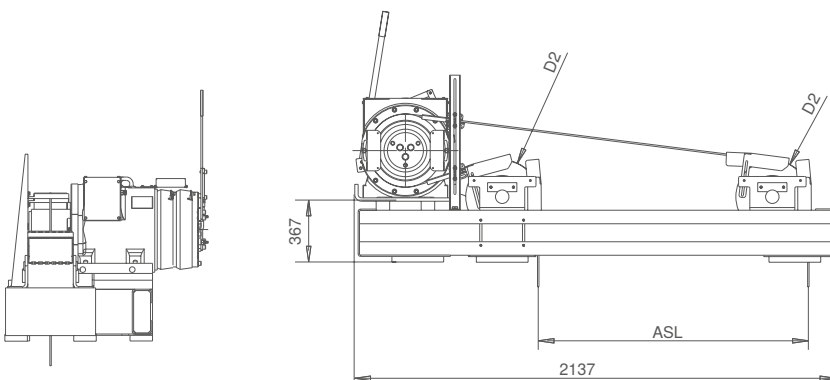
- Frame with fastening material
- Deflection pulley with fastening material
- Vibration insulation

Options

- Rope guard

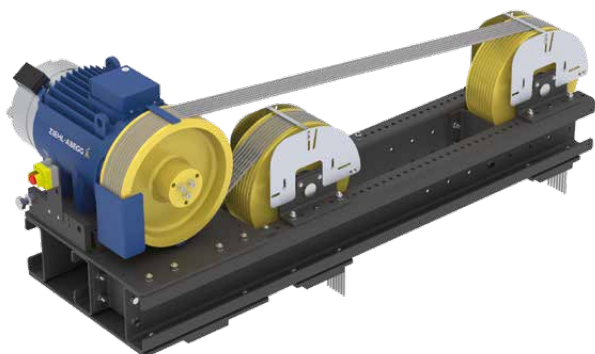
MS4000				
Motor type	Traction sheave mm	Deflection pulley D2 mm	ASL mm	Max. static load kg
SM200.15D/23D/30D	240	240	400 - 1200	4000
SM200.15D/23D/30D	320	240	440 - 1200	
	400	320	520 - 1200	
SM200.40E/45E	240	400	400 - 1200	
SM200.40E/45E	320	320	440 - 1200	
	400	400	520 - 1200	

Dimensions mm



ZAframe MS8000B

Frame S-wrap for ZAtop SM250.45B - SM250.80D



Description

- Frame with two deflection pulleys
- Bolted sheet metal construction
- Static load: up to 8000 kg
- Typical payload: 1000 kg to 3000 kg
- Rope distance (ASL): 400 mm to 1400 mm, adjustable in 40 mm steps
- Traction sheave: 320 mm to 520 mm
- Deflection pulley: 320 mm to 520 mm
- Version as shown or machine rotated by 180°
- Can be delivered assembled and disassembled

Scope of delivery

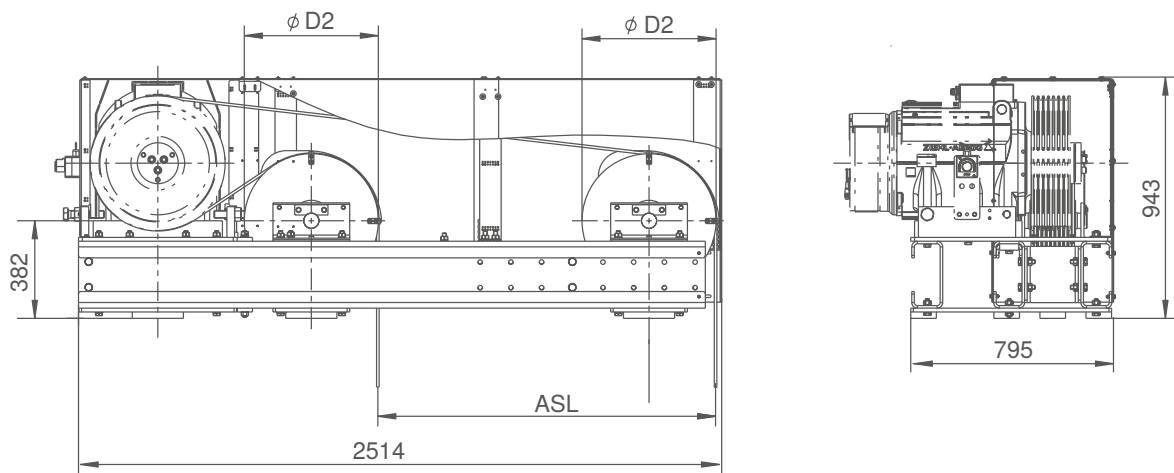
- Frame with fastening material
- Deflection pulley with fastening material
- Vibration insulation

Options

- Rope guard (complete enclosure)
- Emergency stop switch retrofit kit

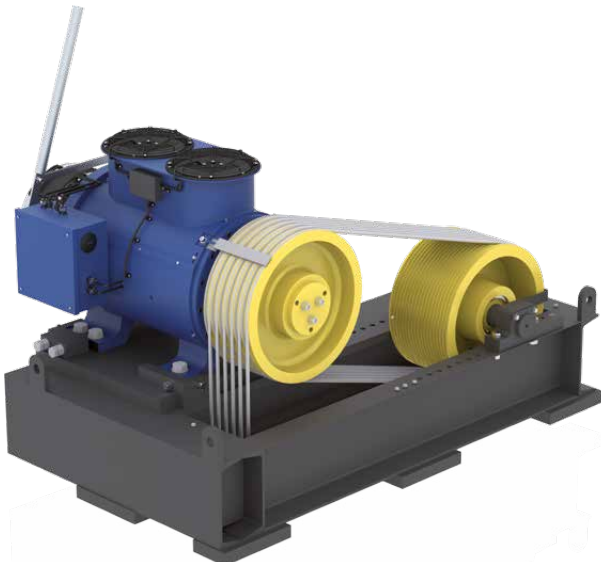
MS8000B				
Motor type	Traction sheave mm	Deflection pulley D2 mm	ASL mm	Max. static load kg
SM250.45B/60B	320	320	480 - 1440	8000
SM250.45B/60B	400	400	480 - 1400	
SM250.45B/60B	520	520	560 - 1320	
SM250.80D	440	440	520 - 1360	
SM250.80D	520	520	560 - 1320	
SM250.80D	520	520	560 - 1320	

Dimensions mm



ZAframe MD13000

Frame for double wrap for ZAtop SM250.100C



Description

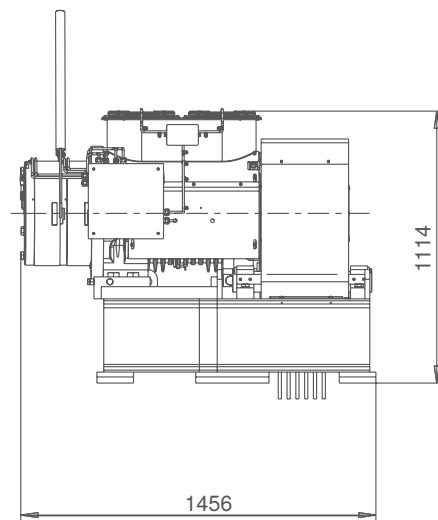
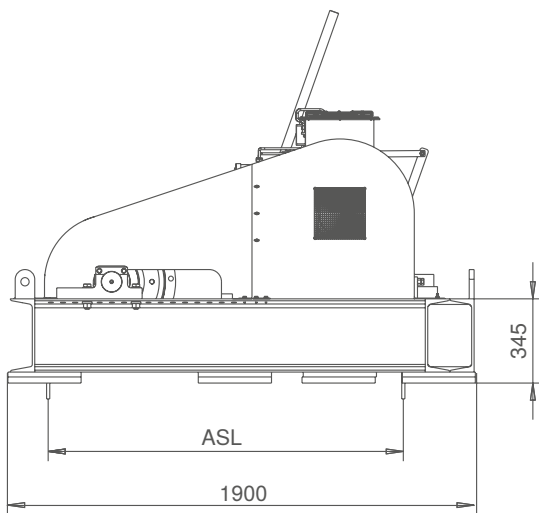
- Frame with one deflection pulley
- Welded/bolted construction
- Static load: up to 13000 kg
- Typical payload: 1000 kg to 3500 kg
- Rope distance (ASL): 1020 mm to 1455 mm, adjustable in 50 mm steps
- Traction sheave: 450 mm to 520 mm
- Deflection pulley: 520 mm
- Version as shown or machine rotated by 180°

Scope of delivery

- Frame with fastening material
- Deflection pulley with fastening material
- Rope guard
- Rope retainer
- Vibration insulation

MD13000				
Motor type	Traction sheave mm	Deflection pulley mm	ASL mm	Max. static load kg
SM250.100C	450	520	1020 - 1420	13000
SM250.100C	500		1045 - 1445	
SM250.100C	520		1055 - 1455	

Dimensions mm



ZAframe MK2850B

Frame for ZAtop SM132.21/BS - SM200.30D



Description

- Frame with one deflection pulley
- Bolted sheet metal construction
- Static load: up to 2850 kg
- Typical payload: 300 kg to 1000 kg
- Rope distance (ASL): 400 mm to 1100 mm, adjustable in 50 mm steps
- Traction sheave: 120 mm to 240 mm
- Deflection pulley: 160 mm to 240 mm
- Version as shown or machine rotated by 180°
- Can be delivered assembled and disassembled

Scope of delivery

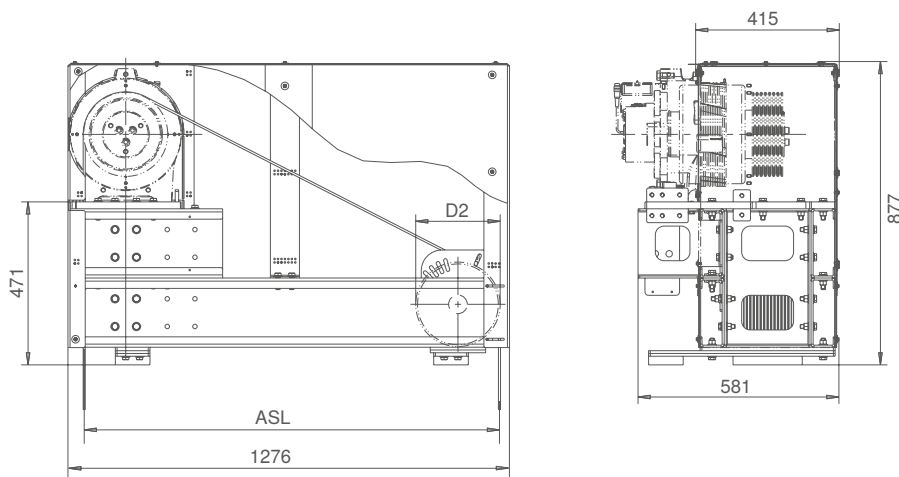
- Frame with fastening material
- Deflection pulley with fastening material
- Rope guard
- Vibration insulation

Options

- Enclosure
- Emergency stop switch retrofit kit

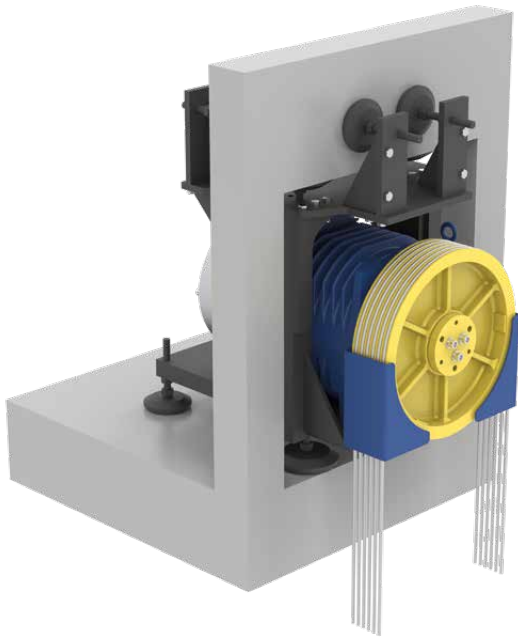
MK2850B				
Motor type	Traction sheave mm	Deflection pulley D2 mm	ASL mm	Max. static load kg
SM132.21/BS	120	160	420 - 1100	2850
SM132.35/BS	160	160	440 - 1120	
SM200.15D/23D	160	160	440 - 1100	
	200	240	500 - 1180	
	210	240	505 - 1185	
	240	240	520 - 1200	
SM200.30D	200	240	500 - 1180	
	210	240	505 - 1185	
	240	240	520 - 1200	

Dimensions mm



ZAframe MN3300

Maschine frame for ZAtop SM200.15D - SM200.40E



Description

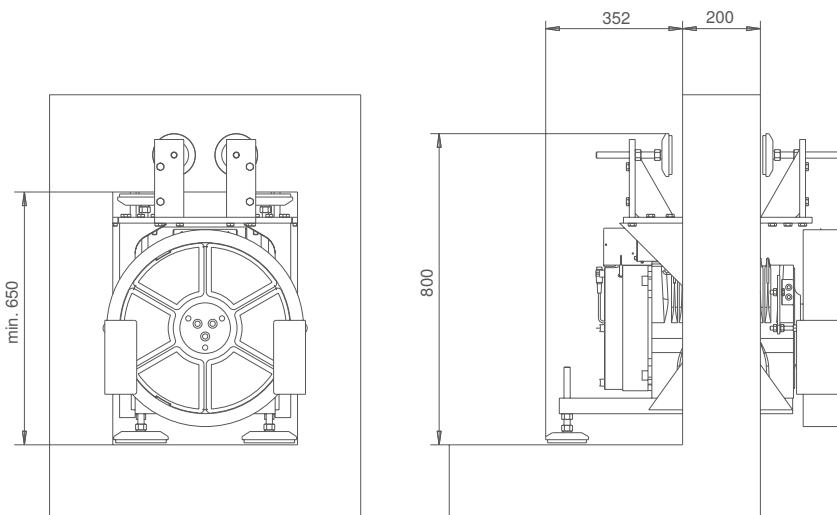
- Frame for installation position traction sheave in the shaft
- Welded / screwed construction
- Static load: up to 3300 kg
- Typical payload: 450 kg to 1600 kg

Scope of delivery

- Frame with fastening material

MN3300		
Motor type	Traction sheave mm	Max. static load kg
SM200.15D/23D/30D	320	3300
SM200.40E/45E	320	
SM200.23D/30D	400	
SM200.40E/45E	400	
SM200.23D/30D	450	
SM200.40E/45E	500	

Dimensions mm



ZAframe MP400/MP550/MP3300

Mechanical adapter

Description

- Adapter for existing substructures
- For bolted/welded assembly
- Static load MP3300: up to 3300 kg

Scope of delivery

- Adapter plates or adapter rail
- Fastening material for elevator machine

MP400 / MP550

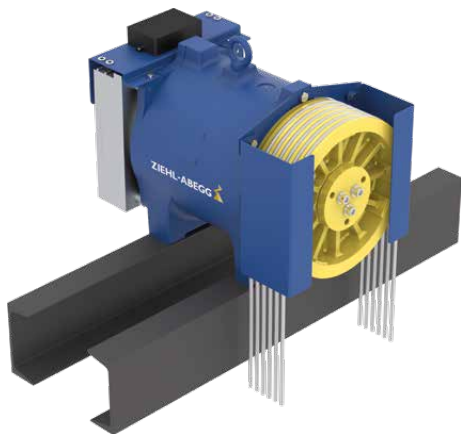
Adapter plates for ZAtop SM190 - SM250.80D



Motor type	Article no.	Dimensions (W x H x D) mm	Weight kg
SM190	70031475	400 x 40 x 400	50
SM200.15D/23D/30D			
SM200.40E/45E	70031476		
SM210.60B/70B	70031477		
SM250.45B/60B/80D	70031478	550 x 40 x 550	92
			90

MP3300

Adapter rail for ZAtop SM190.11B - SM200.45E longitudinal or transversal to traction sheave shaft



Motor type	Mounting	Article no.	Length mm	Weight kg
SM190.11B/15B	transversal	70027242	1000	38
SM200.15D/23D/30D	longitudinal	70028535		
	transversal	70027242		
SM200.40E/45E	longitudinal	70028536		
	transversal	70027243		

Information

ZAtop

ZAtopx

ZAsyn

ZAdisc

ZAtop AM

System components motors

Control technology

System components control technology

Appendix

Deflection pulleys



Scope of delivery

- Deflection pulley (plastic) with deep groove ball bearings including axle
- Two axle keep plates
- Mounting screws
- Washers
- Spacer sleeves

Options

- Two angle brackets

Deflection pulleys with axle and axle keep plates

Deflection pulley	Number of grooves x Rope diameter	Article no.	Groove spacing	Rim width	Axle diameter	Axle length	Bearing type	Max. axle load	Weight without axle	
mm	mm		mm	mm	mm	mm		kg	kg	
120	6 x 6/6.5	02013468	10	70	40	132	BS2-8808-2CS	2500	1.9	
160	8 x 6/6.5	02013921	10	90	55	170	6311-C3	2800	7.2	
	7 x 4	02011795		80		170		1000	2.4	
	12 x 4	02011793		126		190		1650	5.6	
	4 x 8.1	02013234	12	54	170	2000		2.0		
	6 x 8.1	02013235		84	170	2000		2.4		
	6 x 8.1	02501246		90	170	2400		4.4		
210	7 x 6	02013344	12	82	55	170	6211-C3	2000	4.1	
	10 x 6	02013345	10	112		190		2500	5.0	
	7 x 6.5/6.7	02012909	10	82		170		2000	4.1	
	10 x 6.5/6.7	02012908	10	112		190		2500	5.0	
240	7 x 6	02013346	10	82	55	170	6211-C3	2000	5.0	
	10 x 6	02013347		112		190		2500	6.3	
	12 x 6	02013425		134		190		2500	7.2	
	7 x 6.5/6.7	02012910		82		170		2000	5.6	
	10 x 6.5/6.7	02012911		112		190		2500	6.4	
	12 x 6.5/6.7	02013217		134		190		2500	7.2	
320	14 x 6.5/6.7	02013186	10	156	60	230	6212-C3	3000	9.0	
	10 x 6.5/6.7	02013241		116		170		3000	7.3	
	6 x 8	02007636		17		116		170	3000	8.7
	7 x 8	02011725		14		116		170	3000	8.7
	8 x 8	02016855		17		150		170	3000	12.5
	10 x 8	02008315		17		182		250	5000	17.8
	12 x 8	02010922		14		182		250	5000	14.2
400	5 x 8	02501157	17	94	50	170	6210-C3	5000	9.1	
	5 x 10	02501158		94		170		3000	13.9	
	6 x 8	02007637		17	116	60	170	6212-C3	3000	9.8
	7 x 8	02012270		14	116				170	3000
	10 x 8	02007638		17	182	250	5000	18.4		
	12 x 8	02007509		14	182	250	5000	14.5		
	5 x 10	02006714		17	116	170	3000	9.8		
	7 x 10	02006715		17	138	210	5000	23.3		
	10 x 10	02007604		17	182	250	5000	18.0		
	10 x 10	02013188		17	182	250	6000	17.8		
440	10 x 11	02016067	17	188	60	250	6312-C3	5230	22.3	
520	9 x 11	02013689	17	170	60	250	6312-C3	5000	24.6	
	6 x 12	02006717								20

Other deflection pulleys on request



Deflection pulleys



Scope of delivery

- Deflection pulley (steel) with deep groove ball bearings including axle
- Two axle keep plates
- Mounting screws
- Washers
- Spacer sleeves

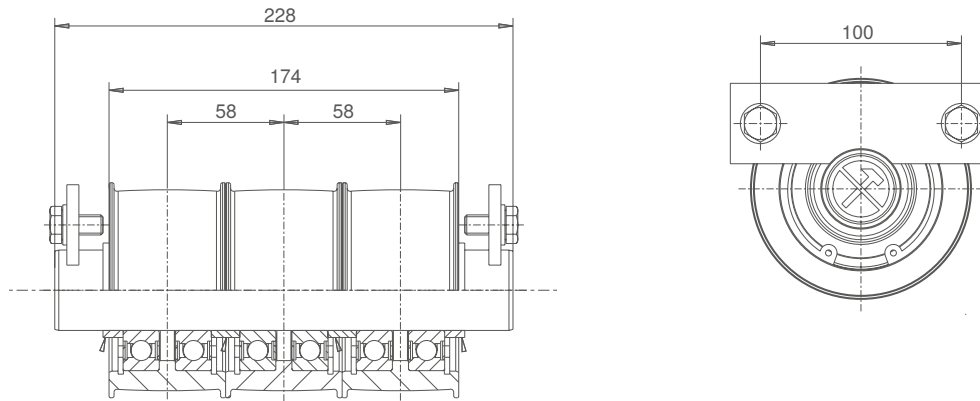
Options

- Two angle brackets

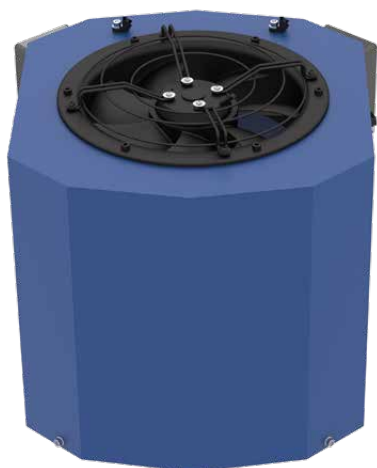
Deflection pulley with axle and axle keep plates ZAtopx

Deflection pulley	Belt width	Number of belts	Article no.	Groove width	Rim width	Axle diameter	Axle length	Bearing type	Max. axle load	Weight without axle
mm	mm			mm	mm	mm	mm		kg	kg
100	30 - 33	2	70029155	58	116	40	228	6208-CO	2500	4.2
		2	70029135		116		344			4.2
		3	70029156		174		228			6.3
		3	70029136		174		344			6.3
		3	70029169		174		414			6.3
		4	70029157		232		344			8.4
		4	70029137		232		414			8.4
		5	70029158		290		344			10.5
		5	70029138		290		414			10.5

Dimensions in mm (shown as example)



Forced ventilation ZAtop and ZAtopx



Example of axial forced ventilation ZAtop SM250.60B

Description

For mounting on elevator machines of the ZAtop series



Example of forced cooling ZAtop SM200.30D

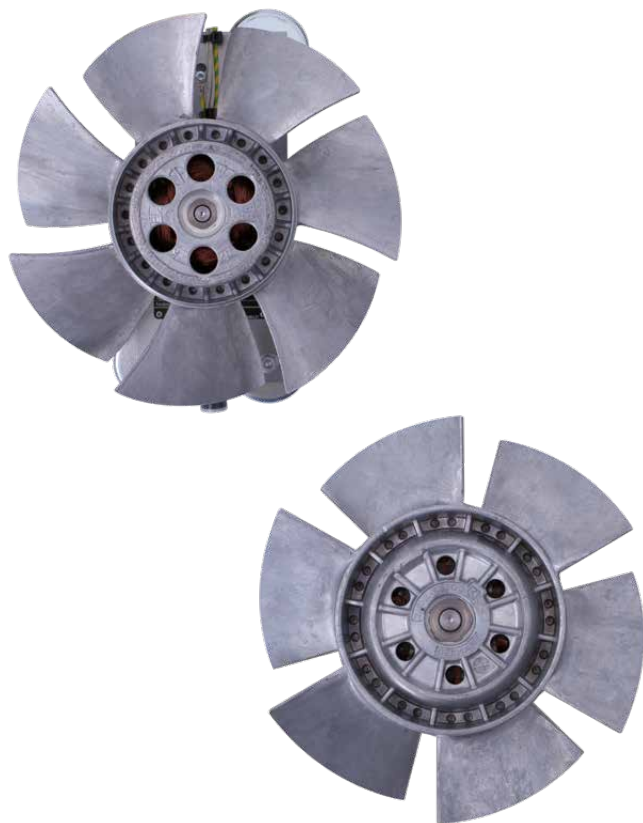
Forced ventilation for ZAtop			
Elevator machine	Mounting type	Article no.	Comment
SM132.21, SM132.35	On top	70030651	With and without hand release
SM180.24/B, SM180.35/B	On top	70030517	With and without hand release
SM180.45/B, SM180.46/B	On top	70029824	With and without hand release
SM200.15D - SM200.30D	On top	70027042	With and without hand release
SM200.40E, SM200.45E	On top	70027114	With and without hand release
SM210.60B	On top	70029725	With and without hand release
SM210.70B	On top	70029727	With and without hand release
SM250.45B	Side B	70029708	With and without hand release
	On top	70029067	With and without hand release
SM250.60B	Side B	70028260	Without hand release system
	Side B	70028262	With hand release
	On top	70027021	With and without hand release
SM250.80D	On top	70027846	With and without hand release
SM250.100C	On top	70026864 + 02010643	With and without hand release Terminal box right
	On top	70026847 + 02010643	With and without hand release Terminal box left
SM315.100A	On top	70031160	With and without hand release

Forced ventilation for ZAtopx			
Elevator machine	Mounting type	Article no.	Comment
BD132.21A	On top	70030558	With and without hand release
BD132.35A	On top	70030577	With and without hand release



Oil heating motors

The solution for oil tanks in elevator and industrial hydraulics



Description

- Short-circuit proof motor for heating up hydraulic oils
- Gently heat-up oils and prevent movement and cracking through rotation
- Nearly the entire electrically absorbed energy is converted into heat
- For hydraulic oil types HL and HLP with viscosity class 22-46

FZ023-4EA.OC.V7

- Bracket with magnetic clamps
- Temperature controller
 - Closing temperature 15°C ± 3°C
 - Opening temperature 23°C ± 3°C
- Terminal box

FZ025-4DA.4C.A6

- Terminal box

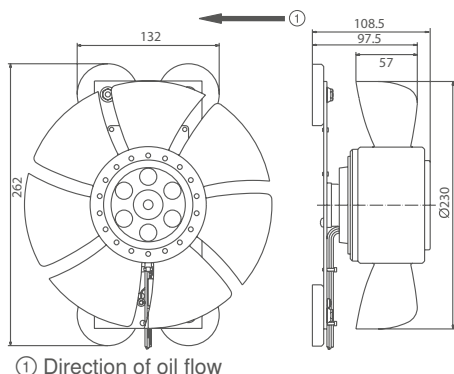
Options FZ025-4DA.4C.A6

- Temperature controller (article no. 02001138)
 - Closing temperature 15°C ± 3°C
 - Opening temperature 23°C ± 3°C

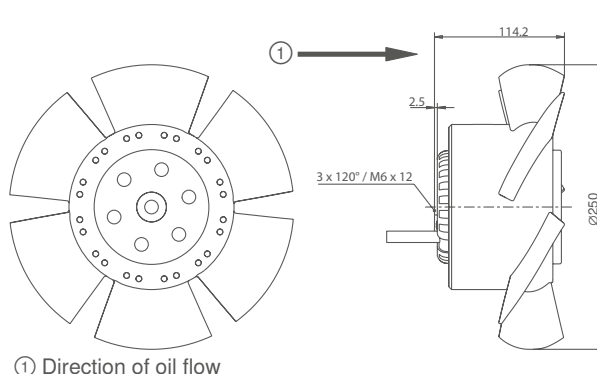
Oil heating motors			
Type		FZ023-4EA.OC.V7	FZ025-4DA.4C.A6
Article no.		880004751	104873
Thermal output at 100 rpm	kW	0.5	1.4
Current consumption at 100 rpm	A	2.2	2.8
Connection voltage		1~ 230 V / 50 Hz	3~ 400 V AC / 50 Hz
Insulation class		F	F
Weight	kg	4.0	9.0
Blade diameter	mm	230	250

Dimensions mm

FZ023-4EA.OC.V7



FZ025-4DA.4C.A6



Tool set

Tool set for replacing the brake on ZAtop and ZAtopx



Tool set for SM315, AM200 and AM210 on request.

Description

Case with auxiliary equipment and tools for replacing the brakes on elevator machines in the ZAtop and ZAtopx model ranges.

- BD132
- SM132
- SM160
- SM180
- SM190
- SM200
- SM210
- SM225
- SM250

The toolbox can be used regardless of the sizes and versions of the elevator machines mentioned.

Scope of delivery

- Bolts for mounting and dismantling the brakes
- Centring tool for mounting the brakes or the clamp for the absolute encoder
- Tool for dismantling the absolute encoder

Article no. 70030741

ZAlift Calculation software

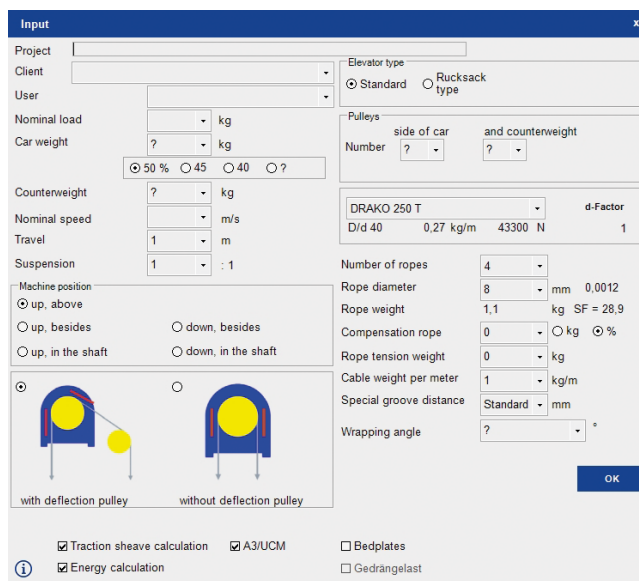
Calculation software for elevator machines from ZIEHL-ABEGG



ZAlift - the tool for selection of your elevator components. Based on the entered plant data, ZAlift calculates the matching package of machine and frequency inverter. ZAlift supports with helpful information for installation, operation and final inspection of the elevator.

The functions

- Selection of the drive package based on the entered plant data
 - Gearless elevator machine ZAtop, ZAtop AM, ZAtopx, ZAsyn and ZAdisc
 - Elevator machine with gear box
 - Frequency inverter ZAdyn
 - Power recuperation unit ZArc4C
- Helpful informations for the final inspection
 - Traction conditions according to EN 81
 - Stopping distance according to EN 81 (unintendent car movement)
 - Energy efficiency class of the elevator according to VDI 4707
 - Calculations in accordance with ASME A17.1
- Helpful informations for the installation
 - Calculation of the power and current consumption of the elevator machine
- Extensive database of available suspension means
- Backup of the calculation (incl. data)



ZAlift is available at www.ziehl-abegg.com.



Control technology

Product overview

Information	Page 76
ZAdyn4C	Page 80
ZAdynpro	Page 82
ZAdyn4Bplus	Page 84
EVAC 3C	Page 86
ZArec4C	Page 88



Information

ZAtop

ZAtopx

ZAsyn

ZAdisc

ZAtop AM

System components motors

Control technology

System components control technology

Appendix

Control technology

General information



Operators, residents and passengers have high demands when it comes to a cutting-edge elevator system. In addition to travelling comfort, the noise emissions play an especially significant role in the evaluation of the elevator. The contactorless frequency inverters from the ZAdyn4C and ZAdynpro series enable very low-noise operation of the elevator machine. In this way, they make a major contribution to the realisation of a modern elevator.

STO (Safe Torque Off) - contactor-less operation according to EN 81-20

The contactor-less operation of the elevator machine according to operating mode STO (Safe Torque Off according to IEC 61800-5-2 (SIL 3)) or EN ISO 13849 Category 3, Performance Level e meets the requirements of EN 81-20 to the separation of the power supply of the drive.

Electronic short-circuit

The short-circuiting of the motor windings of synchronous motors avoids in many cases uncontrolled acceleration of the drive and therefore ensures controllable evacuation of persons by manual opening of the motor brakes. The ZAdyn4C also has this function which was so well appreciated in its predecessors. It was implemented with consistent pursuance of the principle of the contactor-less frequency inverter and an electronic variant was developed. This is also active when no operating voltage exists!



ZAsbc4 - 100 % noiseless

The contactor-less operation of the elevator machine already makes a major contribution towards a low-noise elevator system.

The ZAsbc4 increases this to 100%! Electronic switching of the brakes enables completely contactor-less operation of the elevator machine. This ensures minimum noise emissions and maximum comfort in the building.

Contactor-less operation - your benefit

- No switching noises
- Lower costs
- Lower power consumption
- Lower wiring costs
- No wearing components
- Reduced space requirements for the controller
- Safe operation



Specialists for elevator technology

Units for the ZAdyn series are frequency inverters solely developed for elevator technology. The various housing designs and the continuously compact construction makes them perfectly suitable for both switch cabinet mounting as well as for wall installation in the machine room or elevator shaft.

Both in rope elevators with synchronous or asynchronous motors as well as in hydraulic elevators, type ZAdyn frequency inverter provide the greatest travelling comfort and the most precise stopping accuracy.

The software, specifically matched to elevator technology, facilitates intuitive operation and fast commissioning. The high variety of various interfaces facilitate fast connection to the elevator controller.

Made by ZIEHL-ABEGG

A high degree of vertical integration means great flexibility. And an ultra-modern machine fleet is available to ensure that. From component placing in the boards up to the final test and inspection of the frequency inverter and their accessories, the entire ZAdyn series is produced in our headquarters in Künzelsau. That enables us to meet our partners' demands for flexibility and speed.

EMC-conform without any great effort

All standards which are obligatory for elevator systems are complied with through the line choke and the radio interference filter integrated in the ZAdyn4C.

EN 12015: Electromagnetic compatibility - Product family standard for lifts, escalators and moving walks - Emission

EN 12016: Electromagnetic compatibility - Product family standard for lifts, escalators and moving walks - Immunity

With the integration of the EMC components, the ZAdyn4 provides the user with even more advantages:

- No mounting and wiring effort
- Use of components specifically matched to the ZAdyn4
- No risk regarding the compliance with EMC standards
- No additional space requirement

Information

ZAtop

ZAtopx

ZAsyn

ZAdisc

ZAtop AM

System components motors

Control technology

System components control technology

Appendix

Control technology

General information



Better energy efficiency for your system!

In a typical elevator system, the unused energy generated during travel is converted by a brake resistor into waste heat. From an environmental perspective, this approach is put into question by increasing resource scarcity, rising energy costs and the resulting increasing demands for energy efficiency and sustainability, which require ways of using the unexploited energy potential. The use of the ZArc regeneration unit takes these demands into account. The generated energy is stored and fed back into the supply network. ZArc has been developed especially for brief, highly dynamic regenerative operation, such as that which occurs in elevator systems.



More competence.

More experience.

More commitment.

In addition to excellent, easy to use products, personal customer support and fast, on-time delivery, customer-orientated service is also one of our special strengths. Competent support by specialised, experienced service staff are prerequisite for saving time and costs on site. With our comprehensive service package we therefore make an essential contribution to fast start-up of your elevator system.

- Technical design of drive systems
- Application-engineering consulting when selecting frequency inverters, elevator machines, evacuation units, recuperation units and their system components
- Preset of all parameters of the ZAdyn before delivery when ordering drive packages (machine with frequency inverter) from ZIEHL-ABEGG
- Service hotline for start-up or technical questions
- Technical service and training on-site





Smart and mobile

The ZAMon Mobile app is the ideal tool for operating ZAdyn frequency inverters with mobile devices such as smartphones or tablets.

The clearly structured user interfaces with self-explanatory icons, informative texts for each parameter and online help provide the perfect conditions for fast and independent work.

For iOS and Android

- Parametrisation online and offline
- Start-up assistance
- Data backup
- Detailed description of events and solutions
- Analysis by recording travel curves
- Direct e-mail contact to ZIEHL-ABEGG customer service

Information

ZAtop

ZAtopx

ZAsyn

ZAdisc

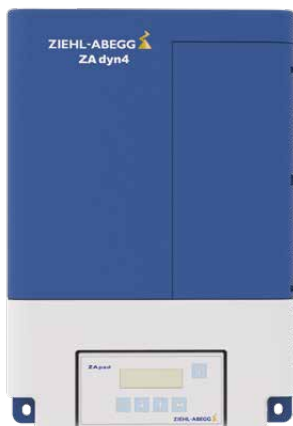
ZAtop-AM

System components
motorsControl
technologySystem components
control
technology

Appendix

ZAdyn Frequency inverter for elevator machines

4C - The solution for wall installation



Operating terminal ZApad	Page 92
Bluetooth® wireless technology ZAMon STICK	Page 92
Brake resistors BR	Page 93
Brake control ZAsbc4	Page 94
Control and connection cables	Page 102
Encoder cables	Page 112
Evacuation unit EVAC 3C	Page 86
Power recuperation unit ZArec4C	Page 88

Contactor-less operation:

- STO (Safe Torque Off) according to IEC 61800-5-2 (SIL 3) or EN ISO 13849 category 4, Performance Level e with protection class IP20.
- Requirements of EN 81-20 to the disconnection of the power supply of the drive are met!

Description

- Wall mounting in the machine room or elevator shaft
- Mounting in the control cabinet
- Line choke, radio interference filter integrated
- Space-saving installation by compact design
- Operation of synchronous motors (ZAdyn4CS) and asynchronous motors (ZAdyn4CA)
- Open-Loop-Operation of asynchronous motors
- Standby function
- 4-line display with plain text display
- Minimal noise generation and low energy consumption through controlled ventilation
- Automatic operating-curves default
- Switching frequency: 4...16 kHz (automatic adaptation)
- Applied EMC standards: EN 12015 and EN 12016
- Protection class: IP20

Interfaces

Controller

- Programmable inputs and outputs
 - 5 x relay output (potential-free)
 - 12 x digital input (24 VDC)
- DCP
- CANopen-Lift
- All interfaces galvanic isolated

Encoder

- Incremental
 - HTL / TTL / Sine
- Absolute
 - EnDat / SSI / SinCos / Hiperface / BiSS-C
- Simulation for controller

Monitorings

- Temperature monitoring brake resistor
- Temperature monitoring motor (in accordance with EN 61800-5-1:2008-04)
- Motor contactor monitoring (with optional use of motor contactors)
- Brake monitoring in accordance with EN 81-20

Type	Article no.	Mains voltage type	Nominal voltage	Mains frequency	Motor power typ.	Nominal current	Current max.	Duty cycle	Weight
			VAC	Hz	kW	A	A	%	kg
ZAdyn4CA 011	352194	3~	400	50/60	4.6	11	20	60	11.80
ZAdyn4CS 011	352201				12.00				
ZAdyn4CA 013	352195				5.5	13	24		12.60
ZAdyn4CS 013	352202				12.80				
ZAdyn4CA 017	352196				7.5	17	31		13.00
ZAdyn4CS 017	352203				13.20				
ZAdyn4CA 023	352197				11	23	42		14.10
ZAdyn4CS 023	352204				14.30				
ZAdyn4CA 032	352198				14	32	58		16.40
ZAdyn4CS 032	352205				16.60				
ZAdyn4CA 040	352206				19	40	72		32.40
ZAdyn4CS 040	352216				32.60				
ZAdyn4CA 050	352207				24	50	90		33.30
ZAdyn4CS 050	352217				33.50				
ZAdyn4CA 062	352208				30	62	112		36.20
ZAdyn4CS 062	352218				36.40				
ZAdyn4CA 074	352209	37	74	134	36.40				
ZAdyn4CS 074	352219	36.60							



Features

- MMC / SD card interface for data backup and exchange
- USB interface for ZAMon software (via ZApad)

Options

- External ZApad operating terminal; 4-line display with plain text display
- Electronic brake control ZAsbc4
- ZAMon (app or version for pc)
- Bluetooth® wireless technology ZAMon STICK

Evacuation mode

Supply during power failure through:

- EVAC 3C evacuation unit
- Uninterruptible power supply (UPS)

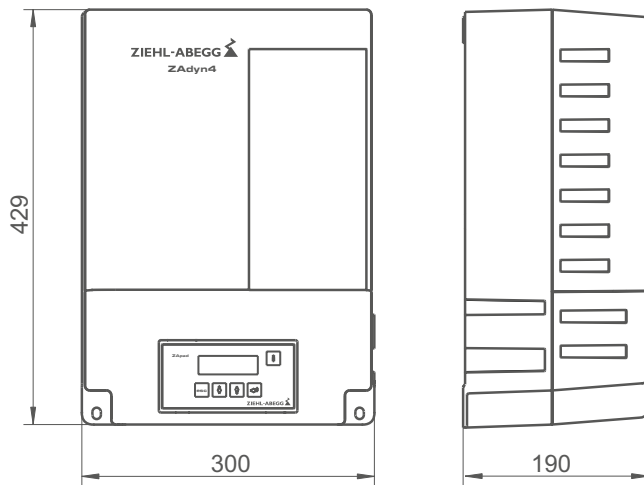
Electromagnetic compatibility

Compliance with EN 12015 and EN 12016 through integration of line choke and radio interference filter in the ZAdyn4C.

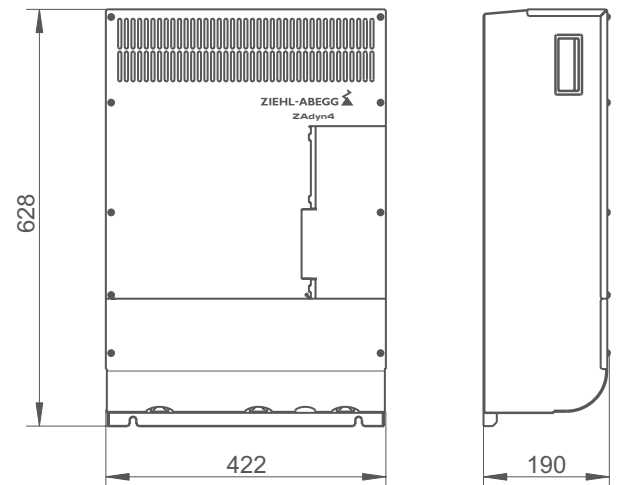
Frequency inverter	Brake resistor	Article no.
ZAdyn4C 011	BR11-A	357171
	BR17	357216
ZAdyn4C 013	BR17	357216
ZAdyn4C 017	BR17	357216
ZAdyn4C 023	BR25	357217
ZAdyn4C 032	BR25	357217
	BR50	357218
ZAdyn4C 040	BR50	357218
ZAdyn4C 050	BR50	357218
ZAdyn4C 062	BR50	357218
ZAdyn4C 074	BR50	357218
	BR100-A	357214

Dimensions mm

ZAdyn4C 011-032



ZAdyn4C 040-074



- Information
- ZAtop
- ZAtopx
- ZAsyn
- ZAdisc
- ZAtop AM
- System components motors
- Control technology
- System components control technology
- Appendix

ZAdyn Frequency inverter for elevator machines

Pro - the solution for control cabinet mounting



Description

- Mounting in the control cabinet
- Radio interference filter integrated
- Space-saving installation by compact design
- Operation of synchronous motors and asynchronous motors
- Open-Loop-Operation of asynchronous motors
- Standby function
- 4-line display with plain text display
- Minimal noise generation and low energy consumption through controlled ventilation
- Automatic operating-curves default
- Switching frequency: 4...16 kHz (automatic adaptation)
- Applied EMC standards: EN 12015 und EN 12016
- Protection class: IP20

Interfaces

Controller

- Inputs (24 VDC)
 - 8 x digital input, freely programmable
 - 3 x digital input monitoring of motor brakes
 - 1 x digital input monitoring of braking resistor
- Outputs
 - 3 x relay output (potential-free)
 - 2 x mini relay output (potential-free)
- CANopen-Lift
- All interfaces galvanic isolated

Encoder

- Incremental
 - TTL / Sine
- Absolute
 - EnDat / SSI / SinCos / BiSS-C
- Simulation for controller

Monitorings

- Temperature monitoring brake resistor
- Brake monitoring in accordance with EN 81-20

Operating terminal ZApadpro	Page 92
Bluetooth® wireless technology ZAMon STICK	Page 92
Line choke ND	Page 96
Brake resistors BR	Page 93
Brake control ZAsbc4	Page 94
Control and connection cables	Page 105
Encoder cables	Page 112
Evacuation unit EVAC 3C	Page 86
Power recuperation unit ZAreC4C	Page 88

Contactless operation:

- STO (Safe Torque Off) according to IEC 61800-5-2 (SIL 3) or EN ISO 13849 category 4, Performance Level e with protection class IP20.
- Requirements of EN 81-20 to the disconnection of the power supply of the drive are met!

Type	Article no.	Mains voltage type	Nominal voltage	Mains frequency	Motor power typ.	Nominal current	Current max.	Duty cycle	Weight
			VAC	Hz	kW	A	A	%	kg
ZAdynpro 011	352250	3~	400	50/60	4.6	11	20	40	4.70
ZAdynpro 013	352251				5.5	13	24		4.70
ZAdynpro 017	352252				7.5	17	31		4.80
ZAdynpro 023	352253				11	23	42		6.00
ZAdynpro 032	352254				14	32	58		6.30
ZAdynpro 040	352255				19	40	72		16.00
ZAdynpro 050	352256				24	50	90		16.30
ZAdynpro 062	352257				30	62	112		17.00
ZAdynpro 074	352258				37	74	134		17.00



Features

- MMC / SD card interface for data backup and exchange
- USB interface for ZAMon software (via ZApadpro)

Options

- External ZApadpro operating terminal; 4-line display with plain text display
- Electronic brake control ZAsbc4
- ZAMon (App or version for pc)
- Bluetooth® wireless technology ZAMon STICK

Evacuation mode

Supply during power failure through:

- EVAC 3C evacuation unit
- Uninterruptible power supply (UPS)

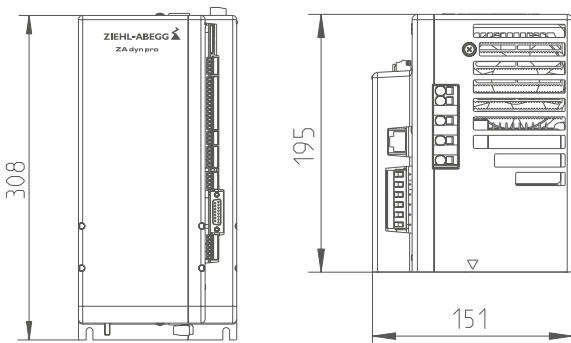
Electromagnetic compatibility

Compliance with EN 12015 and EN 12016 through integration of a line choke Typ ND... in the mains supply.

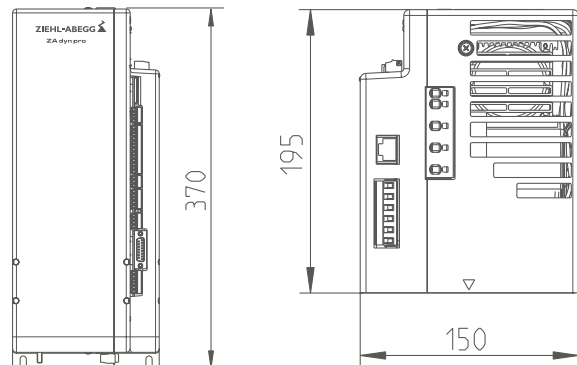
Frequency inverter	Brake resistor	Article no.
ZAdynpro 011	BR11-A	357171
	BR17	357216
ZAdynpro 013	BR17	357216
ZAdynpro 017	BR17	357216
ZAdynpro 023	BR25	357217
ZAdynpro 032	BR25	357217
	BR50	357218
ZAdynpro 040	BR50	357218
ZAdynpro 050	BR50	357218
ZAdynpro 062	BR50	357218
ZAdynpro 074	BR50	357218
	BR100-A	357214

Dimensions mm

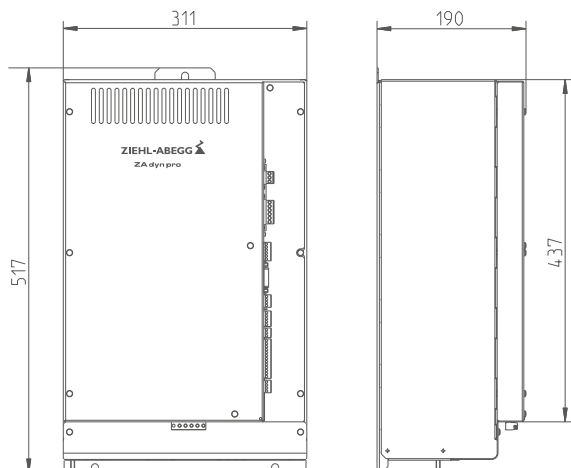
ZAdynpro 011-017



ZAdynpro 023-032

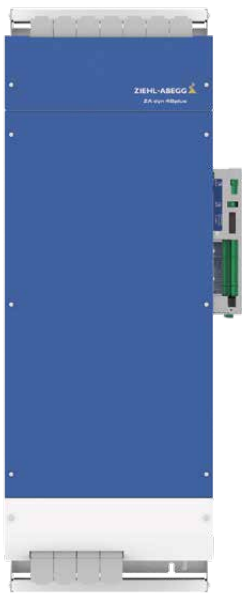


ZAdynpro 040-074



ZAdyn Frequency inverter for elevator machines

4Bplus -The solution for high performances



Description

- Mounting in the control cabinet
- Space-saving installation through compact design
- Operation of synchronous motors (ZAdyn4BSplus) and asynchronous motors (ZAdyn4BAplus)
- Open-Loop-Operation of asynchronous motors
- Standby function
- 4-line display with plain text display
- Minimal noise development and low energy consumption by controlled ventilation
- Automatic operating-curves default
- Switching frequency: 3,7...8 kHz (automatic adaptation)
- Applied standards: EN 12015 and EN 12016
- Protection class: IP10

Interfaces

Control

- Programmable inputs and outputs
 - 5 x relay output (potential-free)
 - 12 x digital input (24 VDC)
- DCP
- CANopen-Lift
- All interfaces electrically isolated

Encoder

- Incremental
 - HTL / TTL / sine
- Absolute
 - EnDat / SSI / SinCos / BiSS-C
- Encoder simulation for controller

Monitoring

- Temperature monitoring brake resistor
- Temperature monitoring motor (according to IEC 61800-5-1:2008-04)
- Motor contactor monitoring
- Brake monitoring according to EN 81-20

Operating terminal ZApad	Page 92
Bluetooth® wireless technology ZAmOn STICK	Page 92
Line choke ND	Page 96
Radio interference filter FEF	Page 97
Brake resistors BR	Page 93
Brake control ZAsbc4	Page 94
Control and connection cables	Page 101
Encoder cables	Page 112

Contactor-less operation:

- STO (Safe Torque Off) according to IEC 61800-5-2 (SIL 3) or EN ISO 13849 category 4, Performance Level e with protection class IP20.
- Requirements of EN 81-20 to the disconnection of the power supply of the drive are met!

Type	Article no.	Mains voltage type	Nominal voltage VAC	Mains frequency Hz	Motor power typ. kW	Nominal current A	Current max. A	Duty cycle %	Weight kg
ZAdyn4BAplus 110	352300	3~	400	50/60	55	110	198	60	56
ZAdyn4BSplus 110	352310								58
ZAdyn4BAplus 150	352301				75	150	270		62
ZAdyn4BSplus 150	352311								65
ZAdyn4BAplus 180	352302				90	180	324		62
ZAdyn4BSplus 180	352312								65
ZAdyn4BAplus 220	352303				110	220	330		62
ZAdyn4BSplus 220	352313								65



Features

- MMC / SD card interface for data backup and exchange
- USB interface for ZAmon software (by ZApad)

Options

- External operating terminal ZApad; 4-line display with plain text display
- Electronic brake control ZAsbc4
- ZAmon (app or version for pc)
- Bluetooth® wireless technology ZAmon STICK

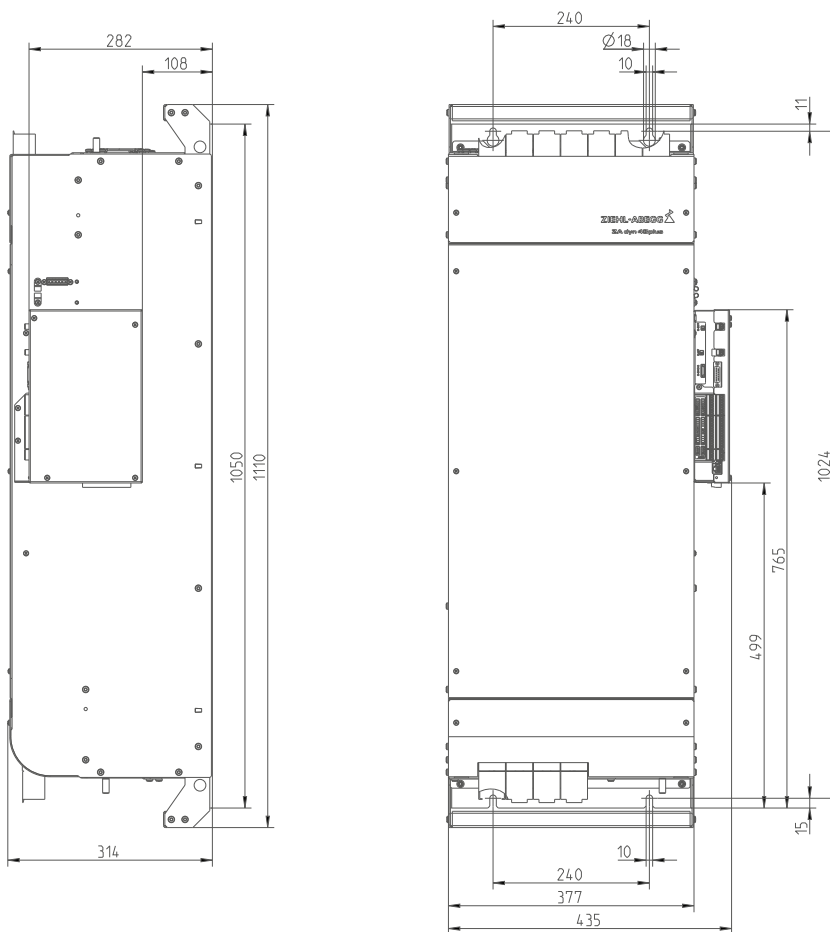
Electromagnetic compatibility

Compliance with EN 12015 by use of:

- Line choke ND
- Radio interference filter FEF

Frequency inverter	Brake resistor	Article no.
4Bplus 110	BR100-3B	357215
4Bplus 150	BR100-3B	357215
4Bplus 180	BR100-3B	357215
4Bplus 220	BR100-3B	357215

Dimensions mm



Evacuation unit

EVAC 3C - The solution for wall installation



Monitoring of the power supply and activation of the evacuation travel

The evacuation unit EVAC 3C monitors the mains power supply of the elevator system. If one or more supply phases fail, the frequency inverter is disconnected from the supply network. The elevator control system and frequency inverter are simultaneously informed of the power failure. The battery power supply is then connected with a time delay. The frequency inverter switches to emergency mode (reduced speed) and an evacuation can be started via the elevator control system regardless of the current load ratios.

The alternative to a complex and drawn-out process of having trapped individuals freed by third-party personnel.

Operating terminal ZApad	Page 92
Frequency inverter ZAdyn4C	Page 80
Frequency inverter ZAdynpro	Page 82
EVAC Battery set and cable set	Page 107

Description

- Wall installation in machine room or elevator shaft
- For synchronous and asynchronous motors
- For frequency inverters ZAdyn
- 60 min availability (with restricted number of trips)
- Integrated mains monitoring
- Integrated charger for controlled charging of lead-gel rechargeable battery
- Operation and configuration via the ZApad operating terminal
- Monitoring of the battery temperature
- Function test via digital input
- LED display for operation / fault
- 4 x relay output
- 4 x digital input (24 VDC)
- External main switch; that permits installation in the elevator shaft
- Prefabricated cables for fast installation
- Power contactors for switching from normal to battery mode
- Integrated inverted rectifier 230 VAC / 500 W to supply:
 - Elevator controller
 - Cabin light
 - Door drive
 - Motor brake
- SD card slot for data backup

Type	Article no.	Mains voltage type	Nominal voltage VAC	Mains frequency Hz	Nominal current A	Battery voltage VDC	Battery type	Time limit evac. min	Weight kg
EVAC 3C032	357231	3~	400	50/60	32	120-180	Blei-Gel	60	33.20
EVAC 3C050	357232				50			60	34.70
EVAC 3C074	357233				74			60	38.40



Features

- External operating terminal ZApad
- MMC/SD card interface for data backup and exchange

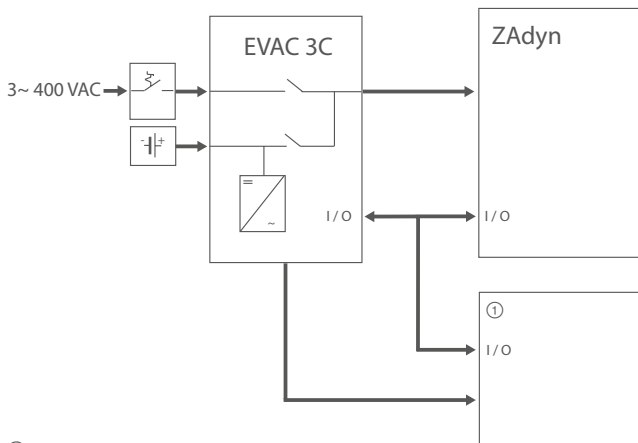
Options

- Cable set LS-EVAC3C-03-HX-...-ZA3/4
- Cable set LS-EVAC3C-...-HX-ST

Additionally required components

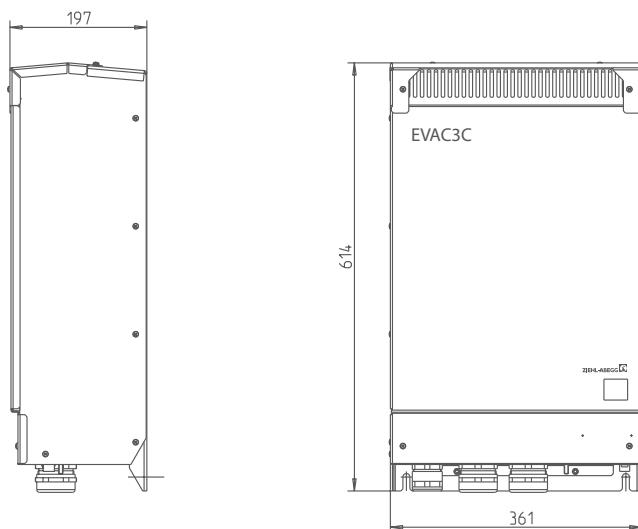
- Battery set corresponding to the required output
- 4-pole main switch

Simplified diagram



① Elevator control

Dimensions mm



- Information
- ZAtop
- ZAtopx
- ZAsyn
- ZAdisc
- ZAtop AM
- System components motors
- Control technology
- System components control technology
- Appendix

Power recuperation units

ZArec4C - The solution for improving energy efficiency and sustainability



With the ZArec power recuperation unit the demands for energy efficiency and sustainability of elevator systems are met. The generated energy is preprocessed and fed back into the power supply. ZArec has been developed especially for brief, highly dynamic recuperation operation, such as that occurs in elevator systems.

Description

- Extremely flat design
- Perfect for the elevator shaft
 - ZArec4C 013: Mounting above the landing door
 - ZArec4C 026 / 039: Mounting between the guiding rails
- Wall mounting in the machine room or elevator shaft
- Can be used for ZAdyn frequency inverters
- Integrated standby function for saving energy
- Prefabricated cables for fast assembly
- Applied standards: EN 12015 and EN 12016
- Protection class: IP20
- Max. on-time: 20%

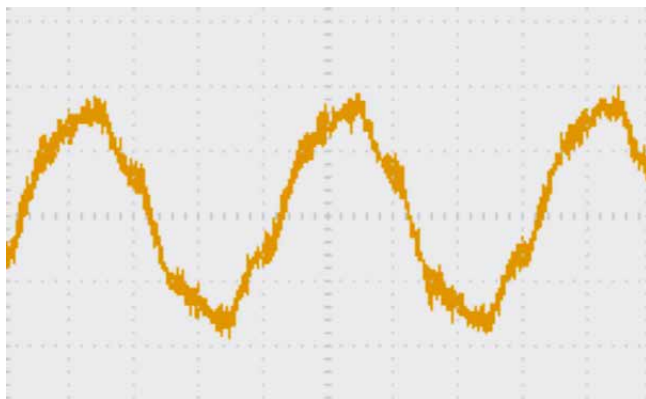
Interfaces

- 2x relay output
- 2x digital input

Regeneration "Clean energy"

- Sinusoidal regenerative power through integrated EMC components
- Harmonic waves I1/I5: < 5 %
- Distortion factor THD: < 5 %
- Requirements of EN 12015 for the electromagnetic compatibility are met
- No interference with network infrastructure
- No interference with the function of other devices connected to the mains power supply, e.g. computers, medical devices or radios

Operating terminal ZApad	Page 92
Bluetooth® wireless technology ZAMon STICK	Page 92
Frequency inverter ZAdyn4C	Page 80
Frequency inverter ZAdynpro	Page 82
Cable set	Page 107
Brake resistors BR	Page 93



Sinusoidal power feed-in

Type	Article no.	Mains voltage type	Nominal voltage VAC	Mains frequency Hz	Recuperation power kW	Max. recuperation current A	Power loss standby W	Weight kg
ZArec4C 013	357269	3~	400	50	5	7	< 10	42.50
ZArec4C 026	357294				10	14.4	13	61.00
ZArec4C 039	357295				15	21.7		78.00



No additional brake resistor for evaluations

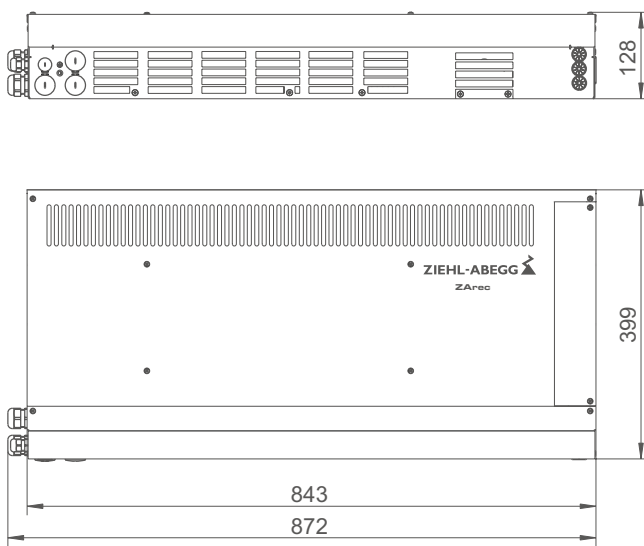
During evacuation travel, the brake resistor belonging to the ZArec converts the created energy into heat. Additional costs for an additional brake resistor are saved.

Brake resistor allocation

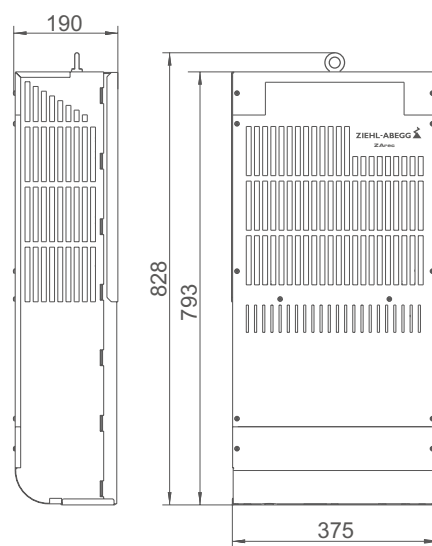
Type	Brake resistor	Article no.
ZArec4C 013	integrated	-
ZArec4C 026	BR25-3	357217
ZArec4C 039	BR50-3	357218

Dimensions mm

ZArec4C 013



ZArec4C 026-039





System components control technology

Product overview

ZApad / BR100-BOX	Page 92
Brake resistor BR	Page 93
Electronic brake control ZAsbc4	Page 94
Line choke	Page 96
Radio interference filter	Page 97
Retrofit kits	Page 98
Control and connection cables ZAdyn4	Page 101
Connection cables ZAdynpro	Page 105
Control and connection cables ZAsbc4	Page 105
Connection cables ZApad	Page 106
EVAC Battery set and cable set	Page 107
Motor cables	Page 108
Encoder cables	Page 112
Encoder incremental	Page 115
Absolute encoder / adapter cables	Page 117
ZAmon Mobile	Page 118

Information

ZAtop

ZAtopx

ZAsyn

ZAdisc

ZAtop AM

System components
motorsControl
technologySystem components
control
technology

Appendix



ZApad



Operating terminals can be used across products.

Description

- External operating terminal
- 4-line display with plain text display

ZApad for:

- ZAdyn4
- ZAdynpro 040-074
- ZArc4C
- EVAC 3C

Article no. 357256

ZApadpro for:

- ZAdynpro 011-032

Article no. 357300

ZAmon STICK



Bluetooth® wireless technology for operation by mobile device in combination with the app ZAmon

Description

- For ZAdyn and ZArc4C
- Bluetooth Low Energy
- Connection by network cable
- Optimal wireless connection due to different possibilities for installation in the machine room or elevator shaft

Article no. 357316

The Bluetooth® word mark and logos are registered trademarks owned by Bluetooth SIG, Inc. and any use of such marks by ZIEHL-ABEGG SE is under license. Other trademarks and trade names are those of their respective owners

BR100-BOX



For connection of two or three BR100-3B type brake resistors to ZAdyn4Bplus 110/180.

Description

- Connection box with integrated terminals
- For parallel connection of up to three BR100-3B type brake resistors

BR100-BOX

Article no. 357261



Brake resistor BR



BR17 - BR100



BR09 - BR14

For converting the energy generated during regenerative travel into heat.

Description

- Prepared for wall installation
- Compact design
- Integrated temperature monitoring (only BR...-3)
- Integrated connection cable (only BR...-A)

Technical data

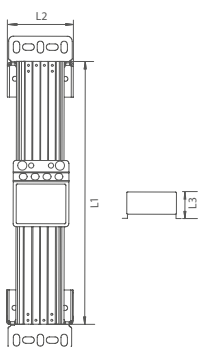
Type	Article no.	Max. peak current	Continuous braking power	Temperature monitor trigger	Cable length	Protection class	Weight
		A	kW	°C	m		kg
BR09-1	357120	9.0	0.29	-	1.0*	IP50	0.8
BR11-A	357171	11.0	0.45	-	1.0*	IP50	1.8
BR14-A	357195	14.0	0.85	-	1.0*	IP50	2.9
BR17-3	357216	17.0	1.75	137 ± 4 K	5.0**	IP20	2.6
BR25-3	357217	25.0	1.75	137 ± 4 K	5.0**	IP20	2.6
BR50-3	357218	50.0	3.3	137 ± 4 K	5.0**	IP20	4.8
BR100-3A	357214	100.0	6.5	125 ± 4 K	5.0**	IP20	8.5
BR100-3B	357215	100.0	6.5	125 ± 4 K	5.0**	IP20	8.5

* Connection cable integrated

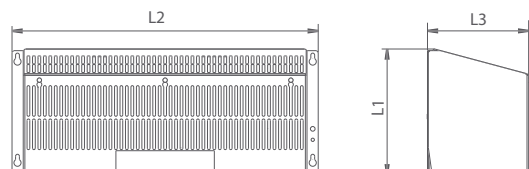
** Connection cable separate

Dimensions mm

BR09 - BR14



BR17 - BR100



Type	L1	L2	L3
BR09-1	317	67	75
BR011-A	225	124	120
BR014-A	426	124	120

BR017-3	230	300	185
BR025-3	230	300	185
BR050-3	230	560	185
BR100-3A	414	560	185
BR100-3B	414	560	185

Electronic brake control

ZAsbc4



ZAsbc4C

Following conditions are necessary for comfortable travel behaviour of the elevator:

- Correctly timed switching of the brake
- Noiseless activation of the brake
- Low-noise switching of the brake

The electronic brake control ZAsbc4 meets these requirements.

The ZAsbc4 is available for mounting on to the ZAdyn4C frequency inverter and for installation in the switch cabinet.

Description

- Noiseless activation of the mechanical brake
- Correctly timed switching of the mechanical brake
- For brakes of synchronous and asynchronous motors
- Low-noise switching of the mechanical brake
- Minimum cable lengths for elevators without machine room
- Low space requirement for the controller



ZAsbc4B

Electronic brake control

- For brakes with and without overexcitation
- Operating voltage brake: 207 VDC / 103 VDC
- Evaluation of safety chain and enabling of contactor-less operation
- Retrofittable
- Prefabricated cables for connection to elevator controller

- Control inputs:
 - Activation of brake
 - Evaluation of safety chain
 - Push-buttons emergency operation and brake test

- Control outputs:
 - Activation of contactor-less operation ZAdyn
 - Status monitoring
 - Fault

Safety component according to the Lift Directive 2014/33/EU. The requirements relating to the disconnection of the energy supply to the brakes as stated in EN 81-20 are met!

Technical data

ZAsbc4C

- For mounting on ZAdyn4C
- Prefabricated cables for connection to ZAdyn4C

Type	Article no.	Voltage safety chain	Voltage supply brake U~	Motor brake output voltage	Output current
		VAC	VAC	VDC	A
ZAsbc4C 110	357292	110	230	0.9 x U~	2 x 1.1
ZAsbc4C 230	357293	230		0.45 x U~	

ZAsbc4B

- For control cabinet installation

Type	Article no.	Voltage safety chain	Voltage supply brake U~	Motor brake output voltage	Output current
		VAC	VAC	VDC	A
ZAsbc4B 110	357290	110	230	0.9 x U~	2 x 1.1
ZAsbc4B 230	357291	230		0.45 x U~	

Information

ZAtop

ZAtopx

ZAsyn

ZAdisc

ZAtop-AM

System components
motorsControl
technologySystem components
control
technology

Appendix

Line choke ND



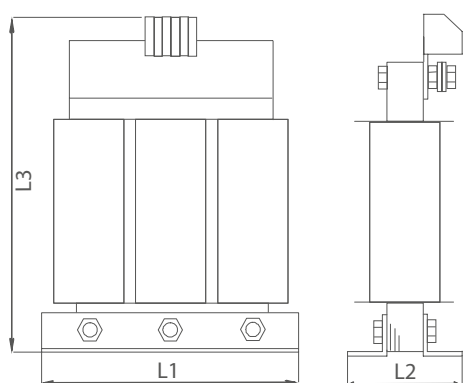
Description

- For ZAdynpro and ZAdyn4Bplus
- For compliance with the limits required by EN 12015 (interference emission)
- Reduction of the harmonics
- Damping of commutation notches and mains feedback

Technical data

Type	Article no.	Nominal current A	Protection class	Weight kg	Frequency inverter
ND011	357180	11	IP00	2.40	ZAdynpro 011
ND013	357181	13		2.50	ZAdynpro 013
ND017	357182	17		3.30	ZAdynpro 017
ND023	357183	23		4.00	ZAdynpro 023
ND032	357184	32		6.70	ZAdynpro 032
ND040	357185	40		7.70	ZAdynpro 040
ND050	357186	50		8.70	ZAdynpro 050
ND062	357187	62		12.10	ZAdynpro 062
ND074	357188	74		12.30	ZAdynpro 074
ND110	357196	110		14.00	ZAdyn4Bplus 110
ND180	357197	180		21.00	ZAdyn4Bplus 180
ND150	357326	150		21.00	ZAdyn4Bplus 150
ND220	357327	220		25.00	ZAdyn4Bplus 220

Dimensions mm



Type	L1	L2	L3
ND011	125	61	135
ND013	125	71	135
ND017	125	71	135
ND023	155	80	160
ND032	155	95	170
ND040	190	85	200
ND050	190	120	200
ND062	190	120	200
ND074	190	120	200
ND110	230	150	280
ND180	230	150	305
ND150	230	150	293
ND220	240	150	297

Radio interference filter FEF



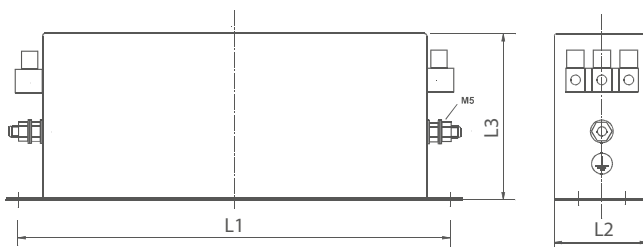
Description

- For ZAdyn4Bplus
- For compliance with the limits required by EN 12015 (interference emission)
- Reduces high-frequency electromagnetic emission

Technical data

Type	Article no.	Nominal current A	Protection class	Weight kg	Frequency inverter
FEF180KK4D-02	357199	180	IP20	6.00	ZAdyn4Bplus 110 ZAdyn4Bplus 150 ZAdyn4Bplus 180
FEF220KK4D	357328	220		8.30	ZAdyn4Bplus 220

Dimensions mm



Type	L1	L2	L3
FEF180KK4D-02	450	130	180
FEF220KK4D	450	130	180

Retrofit kits

Retrofit kit DISCcontrol



Description

- Retrofit kit for operation of permanently excited disc motors with ZAdyn4CS
- Quick frequency inverter replacement in combination with a commonly available elevator controller
- Simple attachment of the incremental encoder and hall sensor
- Fail-safe connection of incremental encoder and hall sensor thanks to pre-assembled cables
- Extremely safe operation thanks to adjustment of the number of correction magnets on the existing motor type
- Software-supported magnet positioning
- Existing brake resistor can be used furthermore

Scope of delivery

- Attachment kit with incremental encoder and hall sensor
- Magnets for determining the rotor position
- Adhesive and template for magnet assembly
- Assembly instructions

Article no. 357299

Retrofit kit MX18



Description

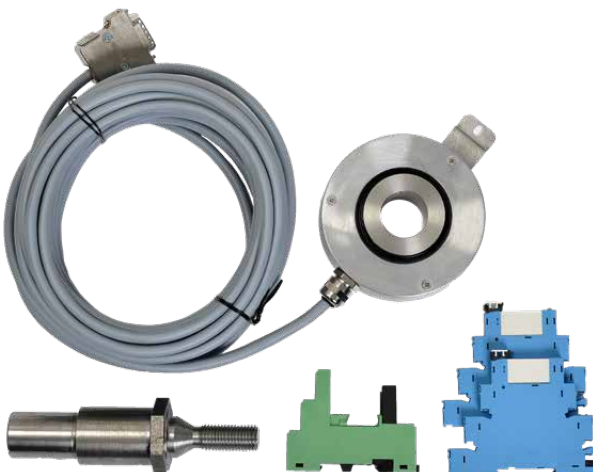
- Retrofit kit for operation of permanently excited disc motors with ZAdyn4CS
- Quick frequency inverter replacement in combination with a commonly available elevator controller
- Simple attachment of the absolute encoder thanks to the mechanical attachment kit
- Fail-safe connection of the absolute encoder thanks to pre-assembled cables
- Existing brake resistor can be used furthermore

Scope of delivery

- Absolute encoder with attachment kit

Article no. 70030968

Retrofit kit SMART



Description

- Retrofit kit for replacement of the frequency inverter on Schindler Smart type elevator systems based on ZAdyn4CA
- No replacement of the controller
- With incremental encoder for improved travel comfort

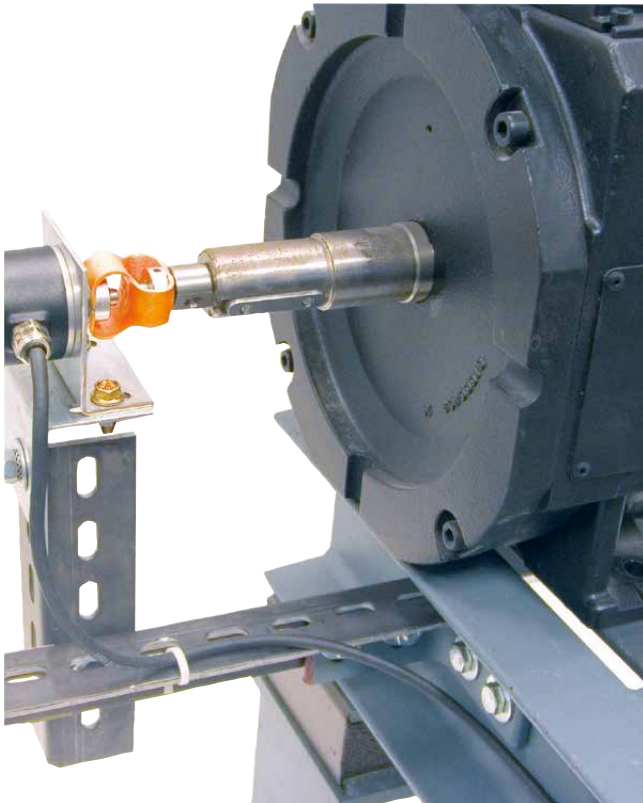
Scope of delivery

- Incremental encoder
- Adapter M16 for incremental encoder
- 3 relays (110 VAC) for signal adaptation

Article no. 357281

Retrofit kits

Retrofit kit incremental encoder with solid shaft



Description

- Retrofit kit for fast and simple mounting of an incremental encoder with solid shaft
- Mounting with and without hand wheel possible
- Prefabricated encoder cable

Scope of delivery

- Incremental encoder
 - Incl. cable with plug D-SUB 15-pin for ZAdyn4 and ZAdynpro
- Flex coupling
 - Thermoplastic compensation element for connection between incremental encoder and motor shaft
- Adaptor
 - For mounting the flex coupling on the motor shaft
 - Motor add-on kit
 - Solid angles and struts for rigid connection to the machine frame or floor

Technical data

Type	Threaded nipple	Operating voltage incremental encoder VDC	Signal shape	Cable length m	Article no.
Retrofit kit Incremental encoder	M8	4.75 ... 30	RS422 Inkremental	10.0	70028208
	M10				70028209
	M12				70028210
	M14				70028211
	M16				70028212
	M20				70028327

Retrofit kits

Incremental encoder retrofit kit with hollow shaft



Description

- Adapter for quick and simple assembly of an incremental encoder with hollow shaft
- Assembly with or without handwheel

Centring thread Motor shaft	Shaft diameter Adapter mm	Article no.
M10	28	70024258
M12		70024259
M16		70024260
M20		70025581

ZAdyn4C retrofit kit



Description

- Adapter for fast and error-proof conversion of ZETADYN to ZAdyn4C
- No new control cables required
- Integrated mini contactors for activating contactor-free operation
- For 110 VAC and 230 VAC safety circuits
- Integrated outputs for existing monitoring of the motor contactors by the elevator control

Type	Article no.	Voltage safety chain VAC
ZETADYN 2 - ZAdyn4C 110	357315	110
ZETADYN 2 - ZAdyn4C 230	357314	230
ZETADYN 3C - ZAdyn4C 110	357318	110
ZETADYN 3C - ZAdyn4C 230	357317	230

Control and connection cables ZAdyn4

Brake release monitoring micro switches

- For ZAtop and ZAdisc
- Connection of the micro-switches for the brake release monitoring to the ZAdyn4C frequency inverter
- Prefabricated:
 - Connection side ZAdyn4: plug 5-pin
 - Connection side brake: wire end sleeves
- Halogen-free



Type	Article no.	Length	Cable cross section
		m	mm ²
L-BL-018-HX-ZA4-AE	00165936-018M	1.8	3 x 0.75
L-BL-03-HX-ZA4-AE	00165936-03M	3.0	
L-BL-05-HX-ZA4-AE	00165936-05M	5.0	
L-BL-10-HX-ZA4-AE	00165936-10M	10.0	
L-BL-15-HX-ZA4-AE	00165936-15M	15.0	
L-BL-20-HX-ZA4-AE	00165936-20M	20.0	
L-BL-25-HX-ZA4-AE	00165936-25M	25.0	

Brake release monitoring inductive proximity switches

- For ZAtop and ZAdisc
- Connection of the inductive proximity switches for the brake release monitoring to the ZAdyn4 frequency inverter
- Prefabricated:
 - Connection side ZAdyn4: plug 5-pin
 - Connection side brake: wire end sleeves
- Halogen-free

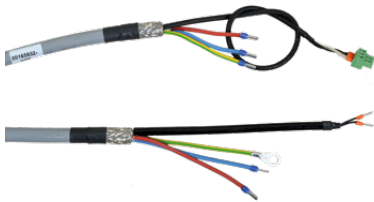


Type	Article no.	Length	Cable cross section
		m	mm ²
L-BL-018-HX-ZA4-AE-INI	00166085-018M	1.8	4 x 0.75
L-BL-03-HX-ZA4-AE-INI	00166085-03M	3.0	
L-BL-05-HX-ZA4-AE-INI	00166085-05M	5.0	
L-BL-10-HX-ZA4-AE-INI	00166085-10M	10.0	
L-BL-15-HX-ZA4-AE-INI	00166085-15M	15.0	
L-BL-20-HX-ZA4-AE-INI	00166085-20M	20.0	
L-BL-25-HX-ZA4-AE-INI	00166085-25M	25.0	

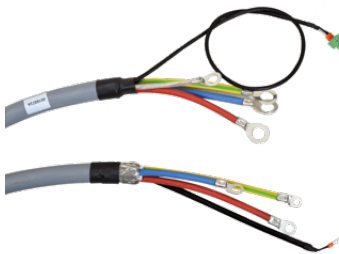
Control and connection cables ZAdyn4

Brake resistor cable

- Cable to connect the brake resistor BR...3 to the ZAdyn4 frequency inverter and BR100-BOX
- Prefabricated
- Integrated conductors for temperature monitoring
- Halogen-free



L-BR-...HX-2.5-ZA4
L-BR-...HX-6-ZA4



L-BR-...HX-16-ZA3/4

Frequency inverter type	Type	Article no.	Cable length m	Cable cross section mm ²
ZAdyn4C 011 ZAdyn4C 013 ZAdyn4C 017 ZAdyn4C 023	L-BR-03-HX-2.5-ZA4 L-BR-05-HX-2.5-ZA4	00165932-03M 00165932-05M	3.0 5.0	3 x 2.5 + 2 x 0.5
ZAdyn4C 032 ZAdyn4C 040 ZAdyn4C 050 ZAdyn4C 062 ZAdyn4C 074	L-BR-03-HX-6-ZA4 L-BR-05-HX-6-ZA4	00165933-03M 00165933-05M	3.0 5.0	3 x 6.0 + 2 x 0.5
ZAdyn4Bplus 110 ZAdyn4Bplus 150 ZAdyn4Bplus 180 ZAdyn4Bplus 220	L-BR-03-HX-16-ZA3/4 L-BR-05-HX-16-ZA3/4	00165724 00165725	3.0 5.0	3 x 16.0 + 2 x 0.5

Cable BR100-BOX

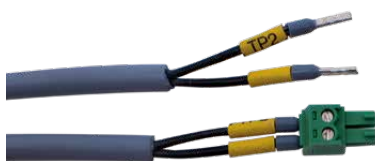
- Cable for connecting the BR100-BOX to ZAdyn4Bplus
- Prefabricated
- Integrated wires for temperature monitoring
- Halogen-free



Frequency inverter type	Type	Article no.	Cable length m	Cable cross section mm ²
ZAdyn4Bplus	L-BR-03-HX-16-BR-BOX	00165953-03M	3.0	3x16.0 + 2x0.5

Connection cable motor temperature monitoring PTC thermistor

- Connection of the PTC to the ZAdyn4 frequency inverter
- Prefabricated:
 - Connection side ZAdyn4: plug 4-pin
 - Connection side motor: wire end sleeves
- Halogen-free



Type	Article no.	Cable length m	Cable cross section mm ²
L-KL-018-HX-ZA3/4-AE	00165801	1.8	2 x 0.75
L-KL-03-HX-ZA3/4-AE	00165650	3.0	
L-KL-05-HX-ZA3/4-AE	00165846	5.0	
L-KL-10-HX-ZA3/4-AE	00165800	10.0	
L-KL-15-HX-ZA3/4-AE	00165847	15.0	
L-KL-20-HX-ZA3/4-AE	00165801-20M	20.0	
L-KL-25-HX-ZA3/4-AE	00165801-25M	25.0	



Control and connection cables ZAdyn4

Control cable DCP

Standard cables

- Prefabricated:
 - Connection side ZAdyn4: plug 4-pin
 - Connection side elevator controller: wire end sleeves
- Halogen-free



Type	Article no.	Cable length m	Cable cross section mm ²
L-SL-03-HX-ZA-DCP	00164123	3.0	2 x 2 x 0.25
L-SL-05-HX-ZA-DCP	00165925	5.0	
L-SL-10-HX-ZA-DCP	00164136	10.0	
L-SL-25-HX-ZA-DCP	00164137	25.0	
L-SL-50-HX-ZA-DCP	00164138	50.0	

Control-dependent special cable NEW LIFT

- Prefabricated:
 - Connection side ZAdyn4: plug 4-pin
 - Connection side elevator controller: D-SUB 9-pin
- Halogen-free

Type	Article no.	Cable length m	Cable cross section mm ²
L-SL-03-HX-ZA-DCP-1	00164048	3.0	2 x 2 x 0.25
L-SL-05-HX-ZA-DCP-1	00165926	5.0	
L-SL-10-HX-ZA-DCP-1	00164049	10.0	
L-SL-25-HX-ZA-DCP-1	00164050	25.0	
L-SL-50-HX-ZA-DCP-1	00164051	50.0	

Information

ZAtop

ZAtopx

ZAsyn

ZAdisc

ZAtop AM

System components
motors

Control
technology

System components
control
technology

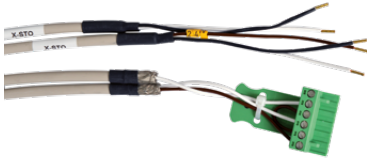
Appendix



Control and connection cables ZAdyn4

STO control cable

- Activation of the Safe Torque Off (STO) function
- Prefabricated:
 - Connection side ZAdyn4: plug 6-pin
 - Connection side elevator controller: wire end sleeves
- Halogen-free



Type	Article no.	Cable length	Cable cross section
		m	mm ²
L-SL-03-HX-ZA4-STO	00165938-03M	3.0	3 x 0.5
L-SL-05-HX-ZA4-STO	00165938-05M	5.0	
L-SL-10-HX-ZA4-STO	00165938-10M	10.0	
L-SL-25-HX-ZA4-STO	00165938-25M	25.0	
L-SL-50-HX-ZA4-STO	00165938-50M	50.0	

Control cable digital inputs

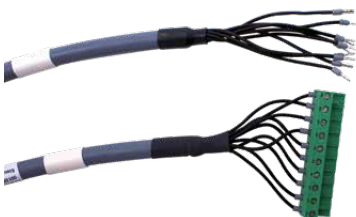
- Activation of the digital inputs through the elevator controller
- Prefabricated:
 - Connection side ZAdyn4: plug, 13-pin
 - Connection side elevator controller: wire end sleeves
- Halogen-free



Type	Article no.	Cable length	Cable cross section
		m	mm ²
L-SL-03-HX-ZA4-IN	00165934-03M	3.0	12 x 0.5
L-SL-05-HX-ZA4-IN	00165934-05M	5.0	
L-SL-10-HX-ZA4-IN	00165934-10M	10.0	
L-SL-25-HX-ZA4-IN	00165934-25M	25.0	
L-SL-50-HX-ZA4-IN	00165934-50M	50.0	

Control cable digital outputs

- Evaluation of the digital outputs through the elevator controller
- Prefabricated:
 - Connection side ZAdyn4: plug, 10-pin
 - Connection side elevator controller: wire end sleeves
- Halogen-free



Type	Article no.	Cable length	Cable cross section
		m	mm ²
L-SL-03-HX-ZA4-OUT	00165935-03M	3.0	10 x 0.5
L-SL-05-HX-ZA4-OUT	00165935-05M	5.0	
L-SL-10-HX-ZA4-OUT	00165935-10M	10.0	
L-SL-25-HX-ZA4-OUT	00165935-25M	25.0	
L-SL-50-HX-ZA4-OUT	00165935-50M	50.0	

Plug kit ST4C

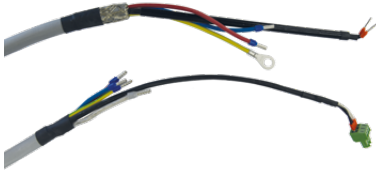
- Consisting of all connectors for connecting the ZAdyn4

Article no. 357258

Connection cables ZAdynpro

Brake resistor cable

- Cable to connect the brake resistor BR..-3 to the ZAdynpro frequency inverter
- Prefabricated
- Integrated conductors for temperature monitoring
- Halogen-free



Frequency inverter type	Type	Article no.	Cable length m	Cable cross section mm ²
ZAdynpro 011-032	L-BR-03-HX-2.5-ZAp	00166112-03M	3.0	3 x 6.0 + 2 x 0.5
	L-BR-03-HX-6-ZAp	00166113-03M	3.0	3 x 6.0 + 2 x 0.5
ZAdynpro 040-74	L-BR-03-HX-6-ZAp	00166155-03M	3.0	6 x 6.0 + 2 x 0.5

Control and connection cables ZAsbc4

Brake control

- For ZAtop and ZAdisc
- Connection of the brake coils on ZAsbc4
- Prefabricated:
 - Connection side ZAsbc4: plug 4-pin
 - Connection side brake: wire end sleeves
- Halogen-free



Type	Article no.	Cable length m	Cable cross section mm ²
L-BA-018-HX-SBC4-AE	00166059-018M	1.8	2 x 2 x 1.0
L-BA-03-HX-SBC4-AE	00166059-03M	3.0	
L-BA-05-HX-SBC4-AE	00166059-05M	5.0	
L-BA-10-HX-SBC4-AE	00166059-10M	10.0	
L-BA-15-HX-SBC4-AE	00166059-15M	15.0	
L-BA-20-HX-SBC4-AE	00166059-20M	20.0	
L-BA-25-HX-SBC4-AE	00166059-25M	25.0	

ZAsbc4C cable set

- 5-part prefabricated cable set for connecting the elevator controller to ZAsbc4C
- Supply voltage
- Monitoring safety circuit
- Activation, emergency operation and brake test
- Test overvoltage protection
- Status monitoring
- Prefabricated
 - Connection side ZAsbc4: plugs
 - Connection side controller: wire end sleeves
- Halogen-free

Type	Article no.	Cable length m	Cable cross section mm ²
LS-SBC4-03-HX-ST	357289-03M	3.0	3 x 1.5 (Supply)
LS-SBC4-05-HX-ST	357289-05M	5.0	5 x 0.75 (Monitoring, safety circuit)
LS-SBC4-10-HX-ST	357289-10M	10.0	3 x 0.75 (Activation, emergency operation and brake test)
LS-SBC4-25-HX-ST	357289-25M	25.0	2 x 0.75 (Test overvoltage protection)
LS-SBC4-50-HX-ST	357289-50M	50.0	2 x 0.75 (Status monitoring)

Connection cables ZApad



Data cable ZApad / ZAmon STICK

Connection of the ZApad and ZAmon STICK to

- ZAdyn4
- ZAdynpro
- ZArec4
- EVAC 3C (only ZApad)

Type	Article no.	Cable length m
L-DL-005-HX-RJ45	00159973	0.5
L-DL-10-HX-RJ45	00159967	10.0
L-DL-25-HX-RJ45	00159968	25.0
L-DL-50-HX-RJ45	00164122	50.0



Modular coupler RJ

- Coupler to connect the cable type L-DL-...-HX-RJ45
- Double jack RJ45

Article no. 00155975



ZAmon data cable

- Connection of the ZApad to a notebook or PC to be able to use the ZAmon software
- USB 2.0 connection line A/B
- Halogen-free
- Length: 1.8 m
- Type: L-DL-018-HX-USB-A-B

Article no. 00159946

ZArec cable set

LS-ZArec4C-...-HX-...-ZA3/4

- 2-part prefabricated cable set for connecting the ZArec to ZETADYN 3 and ZAdyn4:
- Signal transmission ZArec - ZETADYN 3 / ZAdyn4
- Connection DC-link voltage ZArec - ZETADYN 3 / ZAdyn4
- Halogen-free

Type	Article no.	Frequency inverter	Cable length m	Cable cross section mm ²
LS-ZArec4C-03-HX-023-ZA3/4	357276	ZAdyn4C 011-023 ZAdynpro 011-023	3.0	6 x 0.75 (Signals) 3 x 2.5 (DC-link)
LS-ZArec4C-05-HX-023-ZA3/4	357277		5.0	6 x 0.75 (Signals) 3 x 2.5 (DC-link)
LS-ZArec4C-03-HX-074-ZA3/4	357278	ZAdyn4C 032-074 ZAdynpro 032	3.0	6 x 0.75 (Signals) 3 x 6.0 (DC-link)
LS-ZArec4C-05-HX-074-ZA3/4	357279		5.0	6 x 0.75 (Signals) 3 x 6.0 (DC-link)



EVAC battery set and cable set

Battery set EVAC-BATT



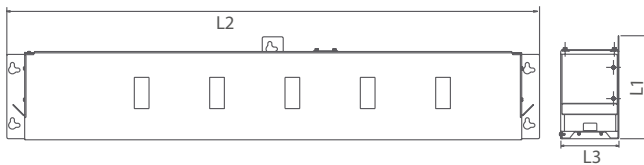
Description

- Selection is made depending on the nominal current of the motor and the duration or number of evacuations

Technical data

Type	Article no.	Rated voltage VDC	Rated capacity Ah	Rated current A	Weight kg
032-120-24	357234	120	24.0	32	2 x 50
050-120-24	357235	120	24.0	50	2 x 50
074-120-24	357236	120	24.0	74	2 x 50
032-180-7.2	357238	180	7.2	32	24 + 26
032-180-24	357242	180	24.0	32	3 x 50
050-180-24	357243	180	24.0	50	3 x 50
074-180-24	357244	180	24.0	74	3 x 50

Dimensions mm



Type	L1	L2	L3
032-120-24	231	1195	130
050-120-24			
074-120-24			
032-180-7.2	205	948	116
032-180-24	231	1195	130
050-180-24			
074-180-24			

EVAC 3C cable set

LS-EVAC3C-...-HX-...-ZA3/4

- 3-part cable set for connecting the ZAdyn4 and the EVAC BATT to EVAC 3C:
 - Power supply of the ZAdyn4 by EVAC 3C
 - Signal transmission EVAC 3C ⇌ ZAdyn4
 - Connection battery set EVAC BATT
- Halogen-free

Type	Article no.	Cable length m	Cable cross-section EVAC 3C ⇌ ZAdyn4 mm²	Cable cross-section EVAC 3C ⇌ EVAC BATT mm²
LS-EVAC3C-03-HX-032-ZA3/4	357239	3.0	4 x 6.0 (supply) 4 x 0.5 (signals)	3 x 6.0 + 2 x 0.5
LS-EVAC3C-03-HX-050-ZA3/4	357240	3.0	4 x 10.0 (supply) 4 x 0.5 (signals)	3 x 6.0 + 2 x 0.5
LS-EVAC3C-03-HX-074-ZA3/4	357241	3.0	4 x 25.0 (supply) 4 x 0.5 (signals)	4 x 10.0 + 2 x 1.0

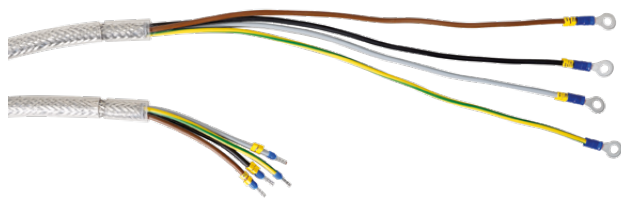
LS-EVAC3C-...-HX-ST

- 3-part cable set for connecting the elevator controller and the main switch monitoring to EVAC 3C:
 - Control power supply through EVAC 3C
 - Signal transmission EVAC 3C ⇌ Controller
 - Main switch monitoring
- Halogen-free

Type	Article no.	Cable length m	Cable cross-section EVAC 3C ⇌ Controller mm²	Cable cross-section EVAC 3C ⇌ Main switch mm²
LS-EVAC3C-03-HX-ST	357247	3.0	3 x 1.5 (supply) 3 x 0.5 (signals)	2 x 0.75 (monitoring)
LS-EVAC3C-10-HX-ST	357248	10.0	3 x 1.5 (supply) 3 x 0.5 (signals)	2 x 0.75 (monitoring)

Motor cables

Standard



For motor type ZAtop

- Cable for connecting the motor to the ZAdyn frequency inverter
- Large-area contacting of the shield
- Prefabricated:
 - Connection side motor: ring cable lug
 - Connection side ZAdyn: wire end sleeves

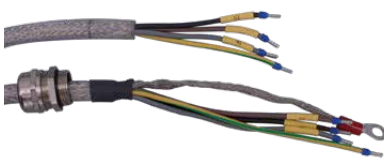
Max. Rated current	Cable cross section	Ring cable lug for terminal board	Fits motor	Cable length	Type	Article no.
A	mm ²			m		
20	4 x 2.5	M6	BD132 SM180	5.0	L-ML-05-YY-2.5-M6e-AE	02500500-05M
				10.0	L-ML-10-YY-2.5-M6e-AE	02500500-10M
				15.0	L-ML-15-YY-2.5-M6e-AE	02500500-15M
				20.0	L-ML-20-YY-2.5-M6e-AE	02500500-20M
				25.0	L-ML-25-YY-2.5-M6e-AE	02500500-25M
		M8	SM200.40/45 SM860	5.0	L-ML-05-YY-2.5-M8e-AE	02500530-05M
				10.0	L-ML-10-YY-2.5-M8e-AE	02500530-10M
				15.0	L-ML-15-YY-2.5-M8e-AE	02500530-15M
				20.0	L-ML-20-YY-2.5-M8e-AE	02500530-20M
				25.0	L-ML-25-YY-2.5-M8e-AE	02500530-25M
25	4 x 4.0	M6	BD132 SM180	5.0	L-ML-05-YY-4-M6e-AE	02500501-05M
				10.0	L-ML-10-YY-4-M6e-AE	02500501-10M
				15.0	L-ML-15-YY-4-M6e-AE	02500501-15M
				20.0	L-ML-20-YY-4-M6e-AE	02500501-20M
				25.0	L-ML-25-YY-4-M6e-AE	02500501-25M
		M8	SM200.40/45 SM860	5.0	L-ML-05-YY-4-M8e-AE	02500531-05M
				10.0	L-ML-10-YY-4-M8e-AE	02500531-10M
				15.0	L-ML-15-YY-4-M8e-AE	02500531-15M
				20.0	L-ML-20-YY-4-M8e-AE	02500531-20M
				25.0	L-ML-25-YY-4-M8e-AE	02500531-25M
35	4 x 6.0	M6	BD132 SM180	5.0	L-ML-05-YY-6-M6e-AE	02500502-05M
				10.0	L-ML-10-YY-6-M6e-AE	02500502-10M
				15.0	L-ML-15-YY-6-M6e-AE	02500502-15M
				20.0	L-ML-20-YY-6-M6e-AE	02500502-20M
				25.0	L-ML-25-YY-6-M6e-AE	02500502-25M
		M8	SM200.40/45 SM250 SM860	5.0	L-ML-05-YY-6-M8e-AE	02500532-05M
				10.0	L-ML-10-YY-6-M8e-AE	02500532-10M
				15.0	L-ML-15-YY-6-M8e-AE	02500532-15M
				20.0	L-ML-20-YY-6-M8e-AE	02500532-20M
				25.0	L-ML-25-YY-6-M8e-AE	02500532-25M
50	4 x 10.0	M8	SM200.40/45 SM250 SM860	5.0	L-ML-05-YY-10-M8e-AE	02500533-05M
				10.0	L-ML-10-YY-10-M8e-AE	02500533-10M
				15.0	L-ML-15-YY-10-M8e-AE	02500533-15M
				20.0	L-ML-20-YY-10-M8e-AE	02500533-20M
				25.0	L-ML-25-YY-10-M8e-AE	02500533-25M
63	4 x 16.0	M8	SM200.40/45 SM250 SM315 SM860	5.0	L-ML-05-YY-16-M8e-AE	02500534-05M
				10.0	L-ML-10-YY-16-M8e-AE	02500534-10M
				15.0	L-ML-15-YY-16-M8e-AE	02500534-15M
				20.0	L-ML-20-YY-16-M8e-AE	02500534-20M
				25.0	L-ML-25-YY-16-M8e-AE	02500534-25M

* The stated rated currents are rated according to DIN VDE 0298-4 for laying system B2 and a max. ambient temperature of 40° C.



Max. Rated current	Cable cross section	Ring cable lug for terminal board	Fits motor	Cable length	Type	Article no.
A	mm ²			m		
80	4 x 25.0	M8	SM250 SM315 SM860	5.0	L-ML-05-YY-25-M8e-AE	02500535-05M
				10.0	L-ML-10-YY-25-M8e-AE	02500535-10M
				15.0	L-ML-15-YY-25-M8e-AE	02500535-15M
				20.0	L-ML-20-YY-25-M8e-AE	02500535-20M
				25.0	L-ML-25-YY-25-M8e-AE	02500535-25M
100	4 x 35.0	M10	SM250 SM315 SM860	5.0	L-ML-05-YY-35-M10e-AE	02500546-05M
				10.0	L-ML-10-YY-35-M10e-AE	02500546-10M
				15.0	L-ML-15-YY-35-M10e-AE	02500546-15M
				20.0	L-ML-20-YY-35-M10e-AE	02500546-20M
				25.0	L-ML-25-YY-35-M10e-AE	02500546-25M
125	4 x 50.0	M10	SM250 SM315	5.0	L-ML-05-YY-50-M10e-AE	02500547-05M
				10.0	L-ML-10-YY-50-M10e-AE	02500547-10M
				15.0	L-ML-15-YY-50-M10e-AE	02500547-15M
				20.0	L-ML-20-YY-50-M10e-AE	02500547-20M
				25.0	L-ML-25-YY-50-M10e-AE	02500547-25M
160	4 x 70.0	M12	SM250 SM315	5.0	L-ML-05-YY-70-M12e-AE	02500558-05M
				10.0	L-ML-10-YY-70-M12e-AE	02500558-10M
				15.0	L-ML-15-YY-70-M12e-AE	02500558-15M
				20.0	L-ML-20-YY-70-M12e-AE	02500558-20M
				25.0	L-ML-25-YY-70-M12e-AE	02500558-25M
200	4 x 95	M12	SM250 SM315	5.0	L-ML-05-YY-95-M12e-AE	02500559-05M
				10.0	L-ML-10-YY-95-M12e-AE	02500559-10M
				15.0	L-ML-15-YY-95-M12e-AE	02500559-15M
				20.0	L-ML-20-YY-95-M12e-AE	02500559-20M
				25.0	L-ML-25-YY-95-M12e-AE	02500559-25M

* The stated rated currents are rated according to DIN VDE 0298-4 for laying system B2 and a max. ambient temperature of 40° C.



For motor type ZAsyn and ZAdisc

- Cable for connecting the motor to frequency inverter type ZAdyn
- Including cable gland
- Prefabricated:
 - Connection side motor: wire end sleeves
 - Connection side ZAdyn: wire end sleeves

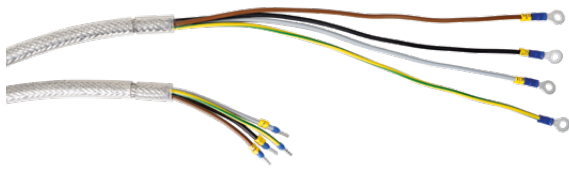
Max. Rated current	Cable cross section	Cable gland	Fits motor	Cable length	Type	Article no.
A	mm ²			m		
20.0	4 x 2.5	M25	SL506 SL510 SM700	10.0	L-ML-10-YY-2.5-AE-AE	356016-10M
20.0	4 x 2.5	M32	SM500	10.0	L-ML-10-YY-2.5-AE-AE	02023469-10M
25.0	4 x 4.0	M32	SL506 SL510 SM700	10.0	L-ML-10-YY-4-AE-AE	356017-10M
20.0	4 x 4.0	M32	SM500	10.0	L-ML-10-YY-4-AE-AE	02023471-10M
35.0	4 x 6.0	M32	SL506 SL510 SM700	10.0	L-ML-10-YY-6-AE-AE	356018-10M
35.5	4 x 6.0	M32	SM500	10.0	L-ML-10-YY-6-AE-AE	02023472-10M
50.0	4 x 10.0	M25	SL510 SM700	10.0	L-ML-10-YY-10-AE-AE	356019-10M
63.0	4 x 16.0	M40	SL510 SM700	10.0	L-ML-10-YY-16-AE-AE	356020-10M
80.0	4 x 25.0	M50	SM700	10.0	L-ML-10-YY-25-AE-AE	356021-10M

* The stated rated currents are rated according to DIN VDE 0298-4 for laying system B2 and a max. ambient temperature of 40° C.



Motor cables

Halogen-free



For motor type ZAtop, ZAsyn SM860

- Cable for connecting the motor to frequency inverter type ZAdyn
- Prefabricated:
 - Connection side motor: ring cable lug
 - Connection side ZAdyn: wire end sleeves

Max. Rated current	Cable cross section	Cable gland	Ring cable lug for terminal board	Fits motor	Cable length	Type	Article no.
A	mm ²				m		
20	4 x 2.5	M25	M8	SM200.40/45 SM210	10.0	L-ML-10-HX-2.5-M8e-AE	02500630-10M
					15.0	L-ML-15-HX-2.5-M8e-AE	02500630-15M
					20.0	L-ML-20-HX-2.5-M8e-AE	02500630-20M
					25.0	L-ML-25-HX-2.5-M8e-AE	02500630-25M
25	4 x 4.0	M32	M8	SM200.40/45 SM210 SM860	10.0	L-ML-10-HX-4-M8e-AE	02500631-10M
					15.0	L-ML-15-HX-4-M8e-AE	02500631-15M
					20.0	L-ML-20-HX-4-M8e-AE	02500631-20M
					25.0	L-ML-25-HX-4-M8e-AE	02500631-25M
35	4 x 6.0	M32	M8	SM200.40/45 SM210 SM250 SM860	10.0	L-ML-10-HX-6-M8e-AE	02500632-10M
					15.0	L-ML-15-HX-6-M8e-AE	02500632-15M
					20.0	L-ML-20-HX-6-M8e-AE	02500632-20M
					25.0	L-ML-25-HX-6-M8e-AE	02500632-25M
50	4 x 10.0	M40	M8	SM200.40/45 SM210 SM250 SM860	10.0	L-ML-10-HX-10-M8e-AE	02500633-10M
					15.0	L-ML-15-HX-10-M8e-AE	02500633-15M
					20.0	L-ML-20-HX-10-M8e-AE	02500633-20M
					25.0	L-ML-25-HX-10-M8e-AE	02500633-15M
63	4 x 16.0	M40	M8	SM200.40/45 SM210 SM250 SM315 SM860	10.0	L-ML-10-HX-16-M8e-AE	02500634-10M
					15.0	L-ML-15-HX-16-M8e-AE	02500634-15M
					20.0	L-ML-20-HX-16-M8e-AE	02500634-20M
					25.0	L-ML-25-HX-16-M8e-AE	02500634-25M
80	4 x 25.0	M50	M8	SM250 SM315 SM860	10.0	L-ML-10-HX-25-M8e-AE	02500635-10M
					15.0	L-ML-15-HX-25-M8e-AE	02500635-15M
					20.0	L-ML-20-HX-25-M8e-AE	02500635-20M
					25.0	L-ML-25-HX-25-M8e-AE	02500635-25M
100	4 x 35.0	M50	M10	SM250 SM315 SM860	10.0	L-ML-10-HX-35-M10e-AE	02500646-10M
					15.0	L-ML-15-HX-35-M10e-AE	02500646-15M
					20.0	L-ML-20-HX-35-M10e-AE	02500646-20M
					25.0	L-ML-25-HX-35-M10e-AE	02500646-25M

* The stated rated currents are rated according to DIN VDE 0298-4 for laying system B2 and a max. ambient temperature of 40° C.



Connection box for shielded motor cables



Description

- Simple and EMC-conform extension of ZIEHL-ABEGG motor cables
- Cable glands on both sides
- Wire cross section from 4 x 2.5 mm² to 4 x 16 mm²
- Dimensions without cable glands
(W x H x T) in mm: 260 x 160 x 91

Article no. 70026751

EMC cable glands



Type	Article no.	EMC lock nut* Article no.	Ø Motor cable mm
M25 x 1.5	02018241	02002803	4 x 2.5
M32 x 1.5	02021912	02002198	4 x 4.0 4 x 6.0
M40 x 1.5	02021913	02002199	4 x 10 4 x 16
M50 x 1.5	02021914	02002200	4 x 25 4 x 35

* With cutting edge for secure contacting even on painted housings

Information

ZAtop

ZAtopx

ZAsyn

ZAdisc

ZAtop AM

System components
motors

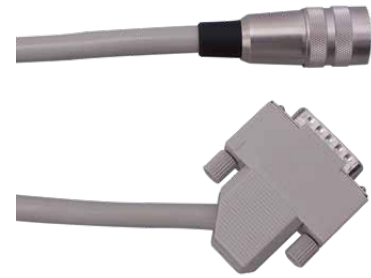
Control
technology

System components
control
technology

Appendix

Encoder cables

Standard



For absolute encoder (synchronous motors)

- Cable for connecting the absolute encoder to frequency inverter type ZAdyn
- For ZATop, ZAsyn and ZAdisc type motors
- Prefabricated

Encoder type	Frequency inverter	Encoder connection	Frequency inverter connection	Cable cross section	Cable length	Type	Article no.
				mm ²	m		
ECN1313	ZAdyn	Jack 12 pin	Plug D-SUB 15-pin	6 x 2 x 0.14	1.8	-	02013880-01.8M
ECN113 ECN1313	ZETADYN 3 ZAdyn	Jack M16 x 0.75 (KV120)	Plug D-SUB 15-pin	6 x 2 x 0.14	5.0	L-GL-05-YY-ZA-ECN	00159923
					10.0	L-GL-10-YY-ZA-ECN	00155050
					15.0	L-GL-15-YY-ZA-ECN	00166102
					20.0	L-GL-20-YY-ZA-ECN	00166103
ERN1387	ZETADYN 3 ZAdyn	Jack M23 x 1	Plug D-SUB 15-pin	8 x 2 x 0.14	10.0	L-GL-10-YY-ZA3-ERN1387	00159964
						L-GL-10-YY-ZA4-ERN1387	00165948-10M

For incremental encoder (asynchronous motors)

- Cable to connect the incremental encoder to frequency inverter type ZAdyn
- For VFD type motors
- Prefabricated

Encoder type	Frequency inverter	Encoder connection	Frequency inverter connection	Cable cross section	Cable length	Type	Article no.
				mm ²	m		
ET2S	ZETADYN 3 ZAdyn*	Jack M16 x 0.75 (KV120)	Plug D-SUB 9-pin	6 x 0.14	10.0	L-GL-10-YY-ZA-ET2S	00159927

* ZAdyn only with D-SUB 9 ⇔ D-SUB 15 adapter (article no. 00165930-004M)

Halogen-free

For absolute encoders (synchronous motors)

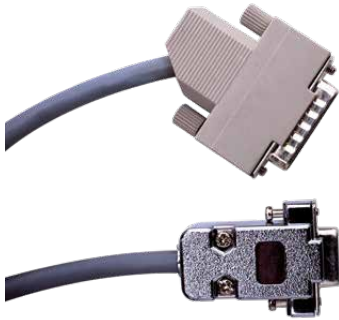
- Cable to connect the absolute encoder to frequency inverter type ZAdyn
- For ZATop, ZAsyn and ZAdisc type motors
- Prefabricated
- Halogen-free

Encoder type	Frequency inverter	Encoder connection	Frequency inverter connection	Cable cross section	Cable length	Type	Article no.
				mm ²	m		
ECN113 ECN1313	ZETADYN 3 ZAdyn	Jack M16 x 0.75 (KV120)	Plug D-SUB 15-pin	6 x 2 x 0.14	1.8	L-GL-018-HX-ZA-ECN	00165713
					3.0	L-GL-03-HX-ZA-ECN	00165644
					5.0	L-GL-05-HX-ZA-ECN	00166095
					10.0	L-GL-10-HX-ZA-ECN	00165615
					15.0	L-GL-15-HX-ZA-ECN	00157818
					20.0	L-GL-20-HX-ZA-ECN	00166104
				25.0	L-GL-25-HX-ZA-ECN	00165616	



Encoder cables / adapter cables

Adapter



Adapter for encoder cables

- Connection of cables with D-SUB plug to ZAdyn4
- Prefabricated
- Halogen-free

Elevator machine	Encoder	Connection side encoder cable	Frequency inverter connection	Cable cross section mm ²	Cable length m	Type	Article no.
ZIEHL-ABEGG	Incremental	Jack D-SUB 9-pin	Plug D-SUB 15-pin	6 x 2 x 0.14	0.4	L-GL-004-HX-ZA-ASM-9-15	00165930-004M
	Incremental	Jack D-SUB 15-pin	Plug D-SUB 9-pin			L-GL-004-HX-ZA-ASM-15-9	00165931-004M
Thyssen	Absolute (EnDat)	Jack D-SUB 15-pin	Plug D-SUB 15-pin			L-GL-004-HX-ZA-ASM-THY	00166089-004M
	Incremental	Jack D-SUB 9-pin	Plug D-SUB 15-pin			L-GL-004-HX-ZA-SYN-THY	00166090-004M



Adapter plug encoder

- Adapter plug for connecting encoder to ZAdyn
- D-SUB 15-pin to screw connection

Article no. 357320

Adapter cable encoder ↔ encoder cable



Encoder type	Article no.	Cable length m	Encoder connection	Encoder cable connection	Cable cross section mm ²
ECN 1313	00159930	0.245	Jack 12 pin	Plug M16 x 0.75 (SV120)	12 x 0.14
	00159953	0.560			
	00159933	0.245		Plug M23 x 1	12 x 0.14
ERN 1387	00159931	0.245	Jack 14 pin	Plug M16 x 0.75 (SV120)	14 x 0.14
	00159934	0.245		Plug M23 x 1	14 x 0.14
ERN 1326	00159942	0.245	Jack 16 pin	Plug M23 x 1	16 x 0.14

Encoder cables

Extension cables

- For incremental encoder and absolute encoder with connection D-SUB 15-pin*
- Prefabricated
- Only in combination with encoder cable

Connection side encoder cable	Frequency inverter connection	Cable cross section mm ²	Cable length m	Type	Article no.
Jack D-SUB 15-pin	Plug D-SUB 15-pin	6 x 2 x 0.25	5.0	L-GL-05-YY-ZA-SYN-EXT	00159952-05M
			10.0	L-GL-10-YY-ZA-SYN-EXT	00159952
Jack M16 x 0.75 (KV120)	Plug M16 x 0.75 (SV120)	6 x 2 x 0.14	10.0	L-GL-10-HX-ECN-EXT-KV120	00165665-10M

* for incremental encoder with connection D-SUB 9-pin the adapter article no. 00165930-004M is required in addition

For frequency inverters from other manufacturers

For absolute encoders (synchronous motors)

- Cable to connect the absolute encoder to frequency inverters from other manufacturers
- For ZAtop, ZAsyn and ZAdisc type motors
- Prefabricated

Encoder type	Frequency inverter	Encoder connection	Frequency inverter connection	Cable cross section mm ²	Cable length m	Type	Article no.
ECN113 ECN1313	Arkel Step	Jack M16 x 0.75 (KV120)	Plug D-SUB 15-pin	6 x 2 x 0.14	10.0	L-GL-10-YY-AR/ST-ECN	00166052-10M
			FUJI		Plug 16-pin MC1.5 / Phoenix	5.0	L-GL-05-YY-FUJI-LM1-ENC L-GL-05-YY-FUJI-LM2-ENC
	10.0					L-GL-10-YY-FUJI-LM1-ENC L-GL-10-YY-FUJI-LM2-ENC	00165827 00166097-10M
	KEB					Plug D-SUB 15-pin	5.0
			10.0		L-GL-10-YY-KEB-F5-ENC		00159734
	Schindler		Plug D-SUB 15-pin		5.0	L-GL-05-YY-SCH-ENC	00159922
					10.0	L-GL-10-YY-SCH-ENC	00159951
	independent		Wire-end sleeves		20.0	L-GL-20-YY-SCH-ENC	00159954
					5.0	L-GL-05-YY-ECN/ERN-AE	02013478-05M
					10.0	L-GL-10-YY-ECN/ERN-AE	02013478-10M
ERN1387		GEFRAN / SIEI		10.0	L-GL-10-YY-SIEI-ERN1387	00159941	
	Monarch		Plug D-SUB 15-pin 3 rows	10.0	L-GL-10-YY-MO-ERN1387	00166063-10M	
				Step	Plug D-SUB 15-pin 3 rows	10.0	L-GL-10-YY-ST-ERN1387
ERN1326	OTIS	Jack M23 x 1	Jack M23 x 1 WAGO 734-108	3 x 2 x 0.25	10.0	L-GL-10-YY-OTIS-ERN1326	02013893-10M
			20.0		L-GL-20-YY-OTIS-ERN1326	02013893-20M	



Incremental encoder

Hollow shaft



Description

- For motor types VFD and other asynchronous motors
- Signal shape: sine or square
- Speed: max. 3500 rpm
- Phase shift: 90°
- With prefabricated connection cable
- Protection class: IP54

Type	Article no.	Shaft diameter mm	Signal shape	Resolution ppr	Signal tracks	Operating voltage VDC	Frequency inverter connection	Cable length m	For frequency inverter
ET2R-1024/28/05V	359010	28	TTL	1024	A, B, /A, /B	5.0	Wire-end sleeves	10.0	-
ET2R-1024/28/05V-1	359026		TTL	1024	A, B, /A, /B, N	5.0	D-SUB 9-pin	10.0	ZETADYN / ZAdyn*
ET2S-1024/28/05V-15	02014700	28	1 V _{SS}	1024	A, B, /A, /B	5.0	D-SUB 15-pin	10.0	ZETADYN** / ZAdyn
ET2R-1024/28/30V	359004		HTL	1024	A, B	10...30	Wire-end sleeves	10.0	-
ET2R-1024/38/05V	359011	38	TTL	1024	A, B, /A, /B	5.0	Wire-end sleeves	10.0	-
ET2R-1024/38/05V-1	359027		TTL	1024	A, B, /A, /B, N	5.0	D-SUB 9-pin	10.0	ZETADYN / ZAdyn*
ET2S-1024/38/05V-15	02014701	38	1 V _{SS}	1024	A, B, /A, /B	5.0	D-SUB 15-pin	10.0	ZETADYN** / ZAdyn
ET2S-1024/38/05V-2	02006794		1 V _{SS}	1024	A, B, /A, /B	5.0	M16 x 0.75 (SV120) 12-pin	0.5	-
ET2R-1024/38/30V	359005	38	HTL	1024	A, B	10...30	Wire-end sleeves	10.0	-
ET2R-1024/42/05V	359012		42	TTL	1024	A, B, /A, /B	5.0	Wire-end sleeves	10.0
ET2R-1024/42/05V-1	359028	TTL		1024	A, B, /A, /B, N	5.0	D-SUB 9-pin	10.0	ZETADYN / ZAdyn*
ET2R-1024/42/30V	359006	HTL		1024	A, B	10...30	Wire-end sleeves	10.0	-

* ZAdyn4 and ZAdynpro only with D-SUB 9 ⇔ D-SUB 15 adapter article no. 00165930-004M)

** ZETADYN 2 and ZETADYN 3 (older than May 2012) only with D-SUB 15 ⇔ D-SUB 9 adapter (article no. 00165931-004M)

Information

ZAtop

ZAtopx

ZAsyn

ZAdisc

ZAtop AM

System compo-
nents motorsControl
technologySystem com-
ponents control
technology

Appendix




Incremental encoder

Solid shaft



Description

- For VFD motor types and other asynchronous motors
- Signal shape: square
- Speed: max. 3500 rpm
- Phase shift: 90°
- With prefabricated connection cable
- Protection class: IP54

Type	Article no.	Shaft diameter mm	Signal shape	Resolution ppr	Signal tracks	Operating voltage VDC	Frequency inverter connection	Cable length m	For frequency inverter
ET2R-1024/10/30V	359020	10	 HTL	1024	A, B	10...30	Wire-end sleeves	10.0	-
ET2R-1024/8/30V	359020-M	8	 HTL	1024	A, B	10...30	Wire-end sleeves	10.0	-
ERN1321	70030041	9.25 Cone 1:10	 TTL	4096	A, B, /A, /B	5.0	Plug M16 x 0.75 (SV120)	0.245	-



Absolute encoder

Hollow shaft



Description

- For ZAtop motor type
- Signal shape speed: sine
- Speed: max. 3500 rpm
- Phase shift: 90°
- Prefabricated connection cable
- Protection class: IP64

Type	Article no.	Shaft diameter mm	Interface absolute value	Resolution ppr	Signal tracks	Operating voltage VDC	Connection	Cable length m
ECN113 EnDat 2048 Hiatus	01009635	50	EnDat 01	2048	A, B, /A, /B	3.6...14	M16 x 0.75 (SV120) 12-pin	0.5
ECN113 EnDat 17pol.	359003					5.0	M23 17-pin	

Solid shaft



Absolute encoder set with solid shaft

- For ZAtop, ZAsyn and ZAdisc motor types
- Signal shape speed: sine
- Speed: max. 3500 rpm
- Phase shift: 90°
- Connected adapter cable
- Protection class: IP40
- Shaft diameter: 9.25 mm / Cone 1:10

Type	Article no.	Interface absolute value	Resolution ppr	Signal tracks	Operating voltage VDC	Connection	Cable length mm	
ECN1313 EnDat-M16-245mm	70030034	EnDat01	2048	A, B, /A, /B	3.6...14	Plug M16 x 0.75 (SV120)	245	
ECN1313 EnDat-M16-560mm	70030035						560	
ECN1313 EnDat-M23-245mm	70030036					Plug M23 x 1	245	
ECN1313 EnDat-DSUB-1.8m	70030037					Plug D-SUB 15-pin	1800	
ECN 1313 SSI-M16-245mm	70030038	SSI				Plug M16 x 0.75 (SV120)	245	
ECN 1313 SSI-M16-560mm	70030039						560	
ECN 1313 SSI-M23-245mm	70030040						Plug M23 x 1	245
ERN 1326-4096-M23-245mm	70030042	U, V, W 	4096		5.0	Plug M23 x 1	245	
ERN 1326-8192-M23-245mm	70030043		8192				245	
ERN 1326-8192-AMP20-7m	70030044		8192				7000	
ERN 1387-M16-245mm	70030045	Z* SinCos	2048		5.0	Plug M16 x 0.75 (SV120)	245	
ERN 1387-M23-245mm	70030046						Plug M23 x 1	245
ERN 1387-DSUB15-350mm	70030047						Plug D-SUB 15-pin	350
AE-S64-BISSC-ZA-5m	70030744						BiSS-C	2048
AE-S64-SinCos-AE-7m	70031263	SinCos	2048		5.0	Ferrules	7000	
AE-S64-SinCos-ST-10m	70031264						Plug D-SUB 15-pin Step AS380	10000
AE-S64-SinCos-SCH-1.8m	70031277						Plug D-SUB 15-pin Schindler VAF	1800
AE-S64-SinCos-MO-10m	70031278					Plug D-SUB 15-pin Monarch Nice3000	10000	

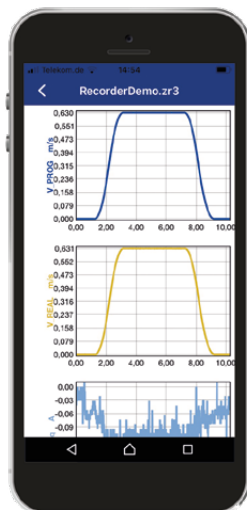
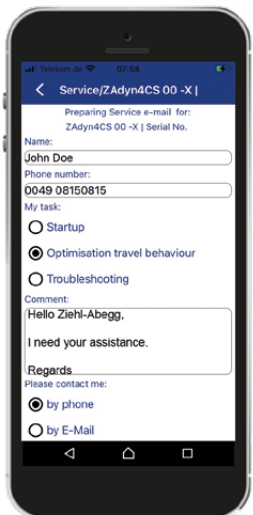
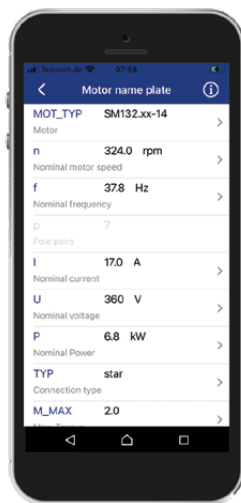
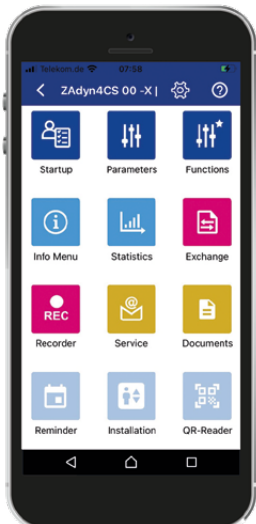
* 1 sine period / revolution

ZAmon Mobile

Fast - Easy - Intuitive

The ZAmon Mobile app is the ideal tool for operating ZAdyn frequency inverters with mobile devices such as smartphones or tablets.

The clearly structured user interfaces with self-explanatory icons, informative texts for each parameter and online help provide the perfect conditions for fast and independent work.



Start-up assistance

- The start-up wizard guides you through all the necessary parameters in simple steps and with explanations, right up to the optimal configuration of the terminal.
- Time for commissioning < 10 minutes

Parametrisation

- Clear summary of menus in function blocks (e.g. function block "Travel curve")
- Downloading, backing up and loading of parameter files
- Read-out of the technical data via the QR code on the name plates of ZIEHL-ABEGG elevator machines, frequency inverters, power feedback units and system components, including automatic transfer to the parameter file.

Offline parameterisation

- Parameter files can be created and saved in the office or workshop, for example, without needing a connection to the end device
- As soon as the Bluetooth connection is established via ZAmon STICK, the parameter transfer can be started

Analysis

- Detailed description of events and possible solutions
- Recording and evaluation of travel curves for analysis and diagnostic processes
- 4 analog measuring channels
- 1 digital measuring channel
- Recording saving function
- FFT analysis
- Mathematical analysis functions

Customer service contact

- Direct e-mail contact to ZIEHL-ABEGG customer service
- Automatic collation of all important data and preparation of the e-mail with one click
- Sending of e-mails via the local e-mail client on the mobile device

Data backup and exchange

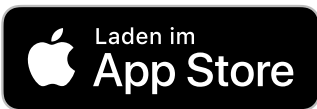
- Parameter file
- Parameter list
- Error lists
- Assignment of individual file names





Documentation

- Access to name plate via QR code
- Operating instructions
- Declaration of conformity
- Certificates



ZAMon for iOS



ZAMon for android



Software ZAMon (PC version)

ZAMon

The perfect tool for diagnosing elevator systems and managing of parameters. ZAMon enables fast and simple access to all parameters and functions of the frequency inverters and recuperation units from ZIEHL-ABEGG.

ZAMon provides the suitable software module for every application:



The functions of ZAMon

- Time-optimised start-up of the frequency inverter type ZAdyn and the recuperation unit ZAreC4C
- Analysis and optimisation of the travel curve
- Fast diagnosis of weak points such as rail joints, door lock interruptions or communication problems to the elevator control system
- Back-up and management of the parameters
- Creation of documents for documentation

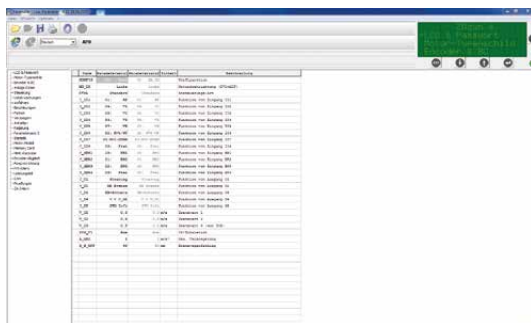
Module "Display"

- Remote control of the frequency inverter or recuperation unit via Notebook

Module "Recorder"

Recording of travel curves for diagnostic purposes

- 4 analogue measuring channels
- 1 digital measuring channel
- Free assignment of the measuring channels with measuring functions
- Back-up of recordings
- Comparison of measurements
- FFT analysis
- Mathematic analysis functions



Module "Parameters"

Management of parameter

- Clear display of menus and parameters
- Editing of parameters in real time
- Saving parameters
- Printing of parameter lists
- Printing of error lists
- Loading of saved parameter sets into the frequency inverter or into the recuperation unit
- Comparison of parameters
- Loading installation and motor data from calculations created in the ZAlift calculation software



"Oszi" module

Realtime recording of travel curves for diagnosis purposes

- 4 analogue measurement channels
- Free assignment of measurement channels with measurement functions
- Save the Oszi-recordings

ZAMon is available as a free of charge download on the ZIEHL-ABEGG homepage.



General notes

The information and data contained in this catalogue were composed to the best of our best ability and do not absolve the user from its duty to check the suitability of the products with respect to its intended application.

The customer is obligated to inform the supplier about general information concerning the intended use, the type of installation, the operating conditions and any other conditions that need to be taken into consideration if the order is not based on catalogue information.

ZIEHL-ABEGG SE reserves the right to make design changes, which are used for continuous technical improvement.

This catalogue contains information for your guidance. No guarantee is provided with regard to the accuracy of all information and no legal claims may be derived from this. Reproduction of this information, or extracts thereof, is permitted only with written approval.

Copyright

ZIEHL-ABEGG SE reserves in its entirety the copyright of this catalogue. The catalogue is intended for proper use as intended and neither the catalogue, its content nor extracts may be passed on to third parties without our express written consent.

The Royal League

© ZIEHL-ABEGG SE - 00712798 - EN - MA - 09/2023 - This catalogue contains information for your guidance. No guarantee is provided with regard to the accuracy of all information and no legal claims may be derived from this. Reproduction of this information, or extracts thereof, is permitted only with written approval.

