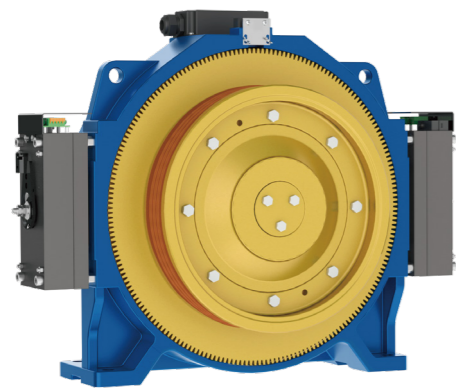


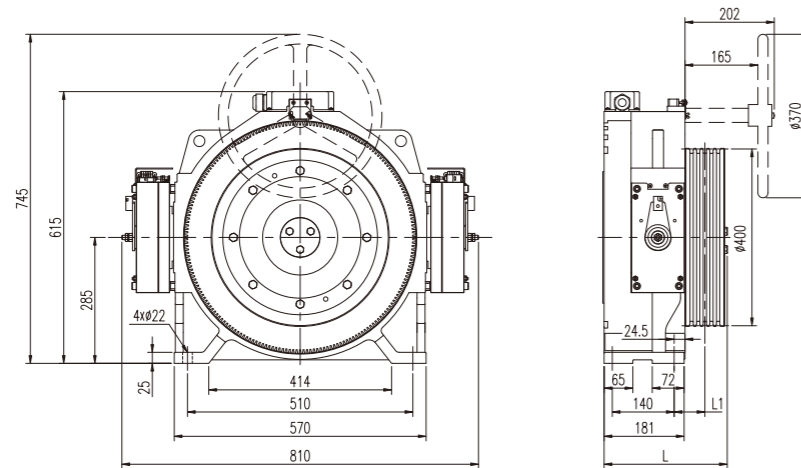
MCK200 ¹

PERMANENT MAGNET SYNCHRONOUS GEARLESS TRACTION MACHINE



Voltage	380V
Roping	1:1
Load	(320~450)kg
Elv. Speed	(0.5~2.0)m/s
Sheave Diam.	Φ400mm
IP Code	IP41
Ins. Class	F
Max. Axle Load	3500kg
Duty	S5-40%
Weight	295kg
Brake	DC110V / 2×1.3A

DIMENSIONS

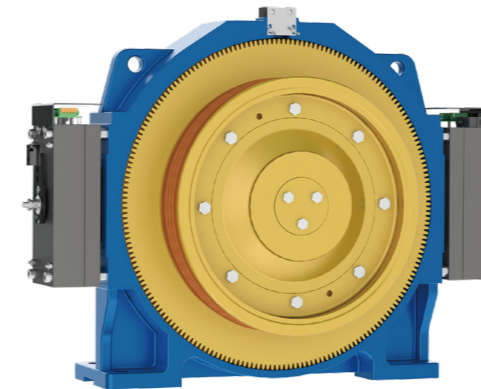


SPEC. SHEET

Type	Roping	Elevator Load	Elevator Speed	Car Self load (P)	Car total load (P+Q)	Sheave Diam	Sheave Groove	Voltage	Current	Power	Revolution	Frequency	Torque	Poles	L	L1
		kg	m/s	kg	kg	mm		V	A	kW	r/min	Hz	N·m		mm	mm
MCK200	1:1	320	0.5	500	900	400	4×Φ 10×15	380	7	1.1	24	6.4	430	32	280	69.5
			1.0			400	4×Φ 10×15	380	7	2.2	48	12.8	430	32		
			1.5			400	4×Φ 10×15	380	10	3.2	72	19.2	430	32		
			1.75			400	4×Φ 10×15	380	10	3.8	84	22.4	430	32		
			2.0			400	4×Φ 10×15	380	10	4.3	95	25.3	430	32		
		450	0.5	650	1180	400	5×Φ 10×15	380	9	1.5	24	6.4	600	32		
			1.0			400	5×Φ 10×15	380	9	3	48	12.8	600	32		
			1.5			400	5×Φ 10×15	380	14	4.5	72	19.2	600	32		
			1.75			400	5×Φ 10×15	380	14	5.3	84	22.4	600	32		
			2.0			400	5×Φ 10×15	380	14	6	95	25.3	600	32		

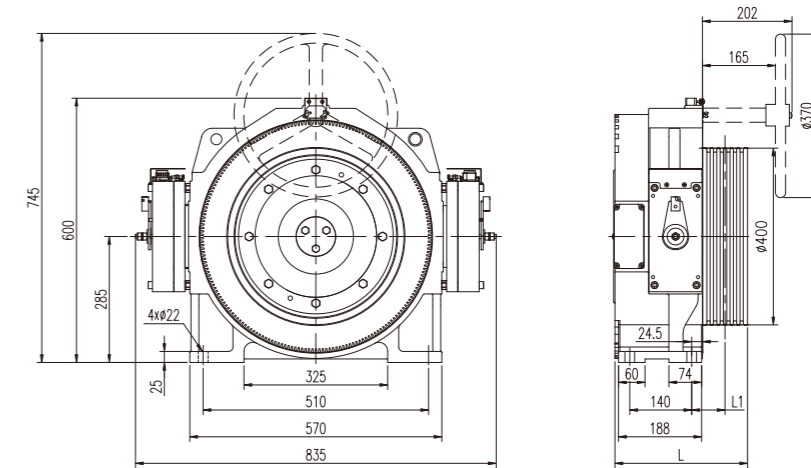
MCK200 ²

PERMANENT MAGNET SYNCHRONOUS GEARLESS TRACTION MACHINE



Voltage	380V
Roping	1:1
Load	(550~630)kg
Elv. Speed	(0.5~2.0)m/s
Sheave Diam.	Φ400mm
IP Code	IP41
Ins. Class	F
Max. Axle Load	3500kg
Duty	S5-40%
Weight	340kg
Brake	DC110V / 2×1.3A

DIMENSIONS



SPEC. SHEET

Type	Roping	Elevator Load	Elevator Speed	Car Self load (P)	Car total load (P+Q)	Sheave Diam	Sheave Groove	Voltage	Current	Power	Revolution	Frequency	Torque	Poles	L	L1
		kg	m/s	kg	kg	mm		V	A	kW	r/min	Hz	N·m		mm	mm
MCK200	1:1	550	0.5	750	1380	400	5×Φ 10×15	380	10	1.9	24	6.4	750	32	288	69.5
			1.0			400	5×Φ 10×15	380	11	3.8	48	12.8	750	32		
			1.5			400	5×Φ 10×15	380	17	5.7	72	19.2	750	32		
			1.75			400	5×Φ 10×15	380	17	6.6	84	22.4	750	32		
			2.0			400	5×Φ 10×15	380	17	7.5	95	25.3	750	32		
		630	0.5	850	1560	400	6×Φ 10×15	380	10	2	24	6.4	800	32		
			1.0			400	6×Φ 10×15	380	12	4	48	12.8	800	32		
			1.5			400	6×Φ 10×15	380	18	6	72	19.2	800	32		
			1.75			400	6×Φ 10×15	380	18	7	84	22.4	800	32		
			2.0			400	6×Φ 10×15	380	18	8	95	25.3	800	32		